

FEATURES

- Direct display of RAM data through the display data RAM.
- RAM capacity : 65 x 132 = 8580 bits
- Display duty selectable by select pin
 - 1/65 duty : 65 common x 132 segment
 - 1/49 duty : 49 common x 132 segment
 - 1/33 duty : 33 common x 132 segment
 - 1/55 duty : 55 common x 132 segment
 - 1/53 duty : 53 common x 132 segment
- High-speed 8-bit MPU interface (The chip can be connected directly to the both the 80x86 series MPUs and the 68000 series MPUs) /Serial interfaces are supported.
- Abundant command functions
Display data Read/Write, display ON/OFF, Normal/Reverse display mode, page address set, display start line set, column address set, status read, display all points ON/OFF, LCD bias set, electronic volume, read/modify/write, segment driver direction selects, power saver, static indicator, common output status select, V5 voltage regulation internal resistor ratio set.
- Static drive circuit equipped internally for indicators. (1 system, with variable flashing speed.)
- Low-power liquid crystal display power supply circuit equipped internally.
Booster circuit (with Boost ratios of 2X/3X/4X/5X/6X, where the step-up voltage reference power supply can be input externally).
- High-accuracy voltage adjustment circuit (Thermal gradient $-0.05\%/^{\circ}\text{C}$) V5 voltage regulator resistors equipped internally, V1 to V4 voltage divider resistors equipped internally, electronic volume function equipped internally, voltage follower.
- CR oscillator circuit equipped internally (external clock can also be input)
- Extremely low power consumption Operating power when the built-in power supply is used (an example) 60uA ($V_{DD} - V_{SS} = V_{DD} - V_{SS2} = 3.0\text{ V}$, Quad voltage, $V_5 - V_{DD} = -11.0\text{ V}$).
Conditions: When displays pattern OFF and the normal mode is selected.
- Power supply operate on the low 1.8 voltage Logic power supply
 $V_{DD} - V_{SS} = 1.8\text{V to } 3.3\text{ V (+10\% Range)}$
Boost reference voltage: $V_{DD} - V_{SS2} = 1.8\text{V to } 3.3\text{V}$
Booster maximum voltage limited
 $V_{OUT} = -16.0\text{V (+10\% Range)}$
Liquid crystal drive power supply:
 $V_{DD} - V_5 = 4.0\text{V to } 13.0\text{ V}$
- Wide range of operating temperatures: $-40\text{ to } 85^{\circ}\text{C}$
- CMOS process
- Shipping forms include bare chip and TCP.
- These chips not designed for resistance to light or resistance to radiation.

GENERAL DESCRIPTION

The ST7565V is a single-chip dot matrix LCD driver that can be connected directly to a microprocessor bus. 8-bit parallel or serial display data sent from the microprocessor is stored in the internal display data RAM and the chip generates a LCD drive signal independent of the microprocessor. Because the chips in the ST7565V contain 65x132 bits of display data RAM and there is a 1-to-1 correspondence between the LCD panel pixels and the internal RAM bits, these chips enable displays with a high degree of freedom. The ST7565V chips contain 65 common output circuits and 132 segment output circuits, so that a single chip can drive a 65x132 dot display (capable of displaying 8 columnsx4 rows

of a 16x16 dot kanji font). Moreover, the capacity of the display can be extended through the use of master/slave structures between chips. The chips are able to minimize power consumption because no external operating clock is necessary for the display data RAM read/write operation. Furthermore, because each chip is equipped internally with a low-power LCD driver power supply, resistors for LCD driver power voltage adjustment and a display clock CR oscillator circuit, the ST7565V can be used to create the lowest power display system with the fewest components for high-performance portable devices.

PART NO.	VRS temperature gradient	VRS range
ST7565V	$-0.05\%/^{\circ}\text{C}$	$-2.1\text{V} \pm 0.03\text{V}$

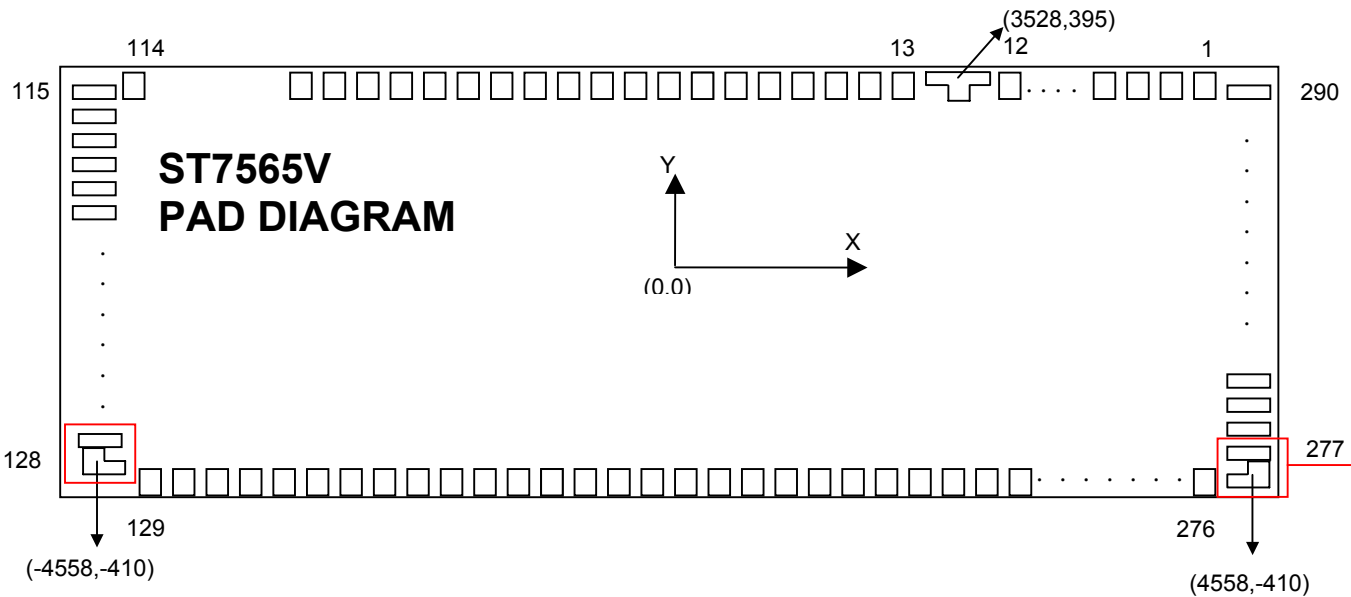
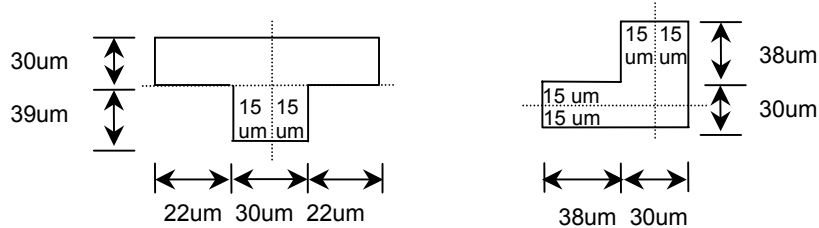
ST7565V

ST7565V Pad Arrangement(COG)

Chip Size: 9,336 μm x 1,000 μm
 Bump Pitch: 58 μm (Min.)
 Bump Size:

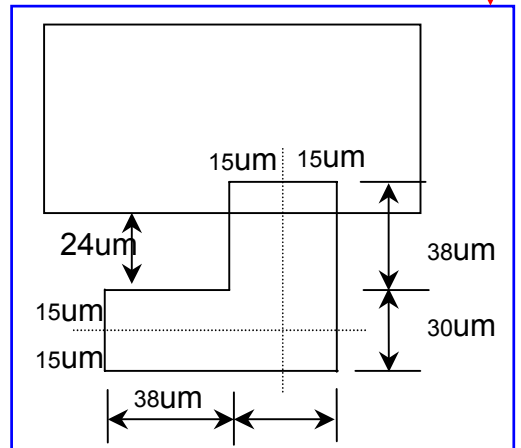
PAD No. 001~012	40 μm x 90 μm
PAD No. 013~102	56 μm x 60 μm
PAD No. 103~114	40 μm x 90 μm
PAD No. 115	102 μm x 37.5 μm
PAD No. 116~128	90 μm x 40 μm
PAD No. 129~276	40 μm x 90 μm
PAD No. 277~289	90 μm x 40 μm
PAD No. 290	102 μm x 37.5 μm

Bump Height: 18 μm (Typ)
 Chip Thickness: 635 μm



- VOUT maximum -16V (+10% Range)
- ST7565V Temperature gradient = -0.05%/°C
- Logic power supply VDD - VSS = 1.8V to 3.3 V (+10% Range)
- Add new booster ratio 5 times and 6 times
- Use select pin to define display duty as following table

SEL 3, 2, 1	DUTY	BIAS
0, 0, 0	1/65	1/9 or 1/7
0, 0, 1	1/49	1/8 or 1/6
0, 1, 0	1/33	1/6 or 1/5
0, 1, 1	1/55	1/8 or 1/6
1, 0, 0	1/53	1/8 or 1/6
1, X, X	-----	-----



ST7565V

Pad Center Coordinates (1/65 Duty)

Units: μm

PAD No.	PIN Name	X	Y
1	COM[53]	4241	374
2	COM[54]	4183	374
3	COM[55]	4125	374
4	COM[56]	4067	374
5	COM[57]	4009	374
6	COM[58]	3951	374
7	COM[59]	3893	374
8	COM[60]	3835	374
9	COM[61]	3777	374
10	COM[62]	3719	374
11	COM[63]	3661	374
12	COMS1	3603	374
13	FRS	3443	389
14	FR	3369	389
15	CL	3295	389
16	/DOF	3221	389
17	VSS	3147	389
18	/CS1	3073	389
19	CS2	2999	389
20	VDD	2925	389
21	/RES	2851	389
22	A0	2777	389
23	VSS	2703	389
24	/WR(R/W)	2629	389
25	/RD(E)	2555	389
26	VDD	2481	389
27	D0	2407	389
28	D1	2333	389
29	D2	2259	389
30	D3	2185	389
31	D4	2111	389
32	D5	2037	389
33	D6	1963	389
34	D7	1889	389
35	VDD	1815	389
36	VDD	1741	389
37	VDD	1667	389
38	VSS	1593	389
39	VSS	1519	389
40	VSS2	1445	389
41	VSS2	1371	389
42	VOUT	1297	389
43	VOUT	1223	389
44	CAP5-	1149	389
45	CAP5-	1075	389
46	CAP1+	1001	389
47	CAP1+	927	389

PAD No.	PIN Name	X	Y
48	CAP3-	853	389
49	CAP3-	779	389
50	CAP1+	705	389
51	CAP1+	631	389
52	CAP1-	557	389
53	CAP1-	483	389
54	CAP2-	409	389
55	CAP2-	335	389
56	CAP2+	261	389
57	CAP2+	187	389
58	CAP4-	113	389
59	CAP4-	39	389
60	VSS	-35	389
61	VSS	-109	389
62	VRS	-183	389
63	VRS	-257	389
64	VDD	-331	389
65	VDD	-405	389
66	V1	-479	389
67	V1	-553	389
68	V2	-627	389
69	V2	-701	389
70	V3	-775	389
71	V3	-849	389
72	V4	-923	389
73	V4	-997	389
74	V5	-1071	389
75	V5	-1145	389
76	VR	-1219	389
77	VR	-1293	389
78	VDD	-1367	389
79	VDD	-1441	389
80	TEST0	-1515	389
81	TEST1	-1589	389
82	TEST2	-1663	389
83	TEST3	-1737	389
84	TEST4	-1811	389
85	TEST5	-1885	389
86	VDD	-1959	389
87	M/S	-2033	389
88	CLS	-2107	389
89	VSS	-2181	389
90	C86	-2255	389
91	P/S	-2329	389
92	VDD	-2403	389
93	/HPM	-2477	389
94	VSS	-2551	389

ST7565V

PAD No.	PIN Name	X	Y	PAD No.	PIN Name	X	Y
95	IRS	-2625	389	147	SEG[10]	-3223	-374
96	VDD	-2699	389	148	SEG[11]	-3165	-374
97	SEL1	-2773	389	149	SEG[12]	-3107	-374
98	VSS	-2847	389	150	SEG[13]	-3049	-374
99	SEL2	-2921	389	151	SEG[14]	-2991	-374
100	VDD	-2995	389	152	SEG[15]	-2933	-374
101	SEL3	-3069	389	153	SEG[16]	-2875	-374
102	VSS	-3143	389	154	SEG[17]	-2817	-374
103	COM[31]	-3606	374	155	SEG[18]	-2759	-374
104	COM[30]	-3664	374	156	SEG[19]	-2701	-374
105	COM[29]	-3722	374	157	SEG[20]	-2643	-374
106	COM[28]	-3780	374	158	SEG[21]	-2585	-374
107	COM[27]	-3838	374	159	SEG[22]	-2527	-374
108	COM[26]	-3896	374	160	SEG[23]	-2469	-374
109	COM[25]	-3954	374	161	SEG[24]	-2411	-374
110	COM[24]	-4012	374	162	SEG[25]	-2353	-374
111	COM[23]	-4070	374	163	SEG[26]	-2295	-374
112	COM[22]	-4128	374	164	SEG[27]	-2237	-374
113	COM[21]	-4186	374	165	SEG[28]	-2179	-374
114	COM[20]	-4244	374	166	SEG[29]	-2121	-374
115	(NC)	-4542	404	167	SEG[30]	-2063	-374
116	COM[19]	-4542	351	168	SEG[31]	-2005	-374
117	COM[18]	-4542	293	169	SEG[32]	-1947	-374
118	COM[17]	-4542	235	170	SEG[33]	-1889	-374
119	COM[16]	-4542	177	171	SEG[34]	-1831	-374
120	COM[15]	-4542	119	172	SEG[35]	-1773	-374
121	COM[14]	-4542	61	173	SEG[36]	-1715	-374
122	COM[13]	-4542	3	174	SEG[37]	-1657	-374
123	COM[12]	-4542	-55	175	SEG[38]	-1599	-374
124	COM[11]	-4542	-113	176	SEG[39]	-1541	-374
125	COM[10]	-4542	-171	177	SEG[40]	-1483	-374
126	COM[9]	-4542	-229	178	SEG[41]	-1425	-374
127	COM[8]	-4542	-287	179	SEG[42]	-1367	-374
128	COM[7]	-4542	-345	180	SEG[43]	-1309	-374
129	COM[6]	-4267	-374	181	SEG[44]	-1251	-374
130	COM[5]	-4209	-374	182	SEG[45]	-1193	-374
131	COM[4]	-4151	-374	183	SEG[46]	-1135	-374
132	COM[3]	-4093	-374	184	SEG[47]	-1077	-374
133	COM[2]	-4035	-374	185	SEG[48]	-1019	-374
134	COM[1]	-3977	-374	186	SEG[49]	-961	-374
135	COM[0]	-3919	-374	187	SEG[50]	-903	-374
136	COMS2	-3861	-374	188	SEG[51]	-845	-374
137	SEG[0]	-3803	-374	189	SEG[52]	-787	-374
138	SEG[1]	-3745	-374	190	SEG[53]	-729	-374
139	SEG[2]	-3687	-374	191	SEG[54]	-671	-374
140	SEG[3]	-3629	-374	192	SEG[55]	-613	-374
141	SEG[4]	-3571	-374	193	SEG[56]	-555	-374
142	SEG[5]	-3513	-374	194	SEG[57]	-497	-374
143	SEG[6]	-3455	-374	195	SEG[58]	-439	-374
144	SEG[7]	-3397	-374	196	SEG[59]	-381	-374
145	SEG[8]	-3339	-374	197	SEG[60]	-323	-374
146	SEG[9]	-3281	-374	198	SEG[61]	-265	-374

ST7565V

PAD No.	PIN Name	X	Y
199	SEG[62]	-207	-374
200	SEG[63]	-149	-374
201	SEG[64]	-91	-374
202	SEG[65]	-33	-374
203	SEG[66]	25	-374
204	SEG[67]	83	-374
205	SEG[68]	141	-374
206	SEG[69]	199	-374
207	SEG[70]	257	-374
208	SEG[71]	315	-374
209	SEG[72]	373	-374
210	SEG[73]	431	-374
211	SEG[74]	489	-374
212	SEG[75]	547	-374
213	SEG[76]	605	-374
214	SEG[77]	663	-374
215	SEG[78]	721	-374
216	SEG[79]	779	-374
217	SEG[80]	837	-374
218	SEG[81]	895	-374
219	SEG[82]	953	-374
220	SEG[83]	1011	-374
221	SEG[84]	1069	-374
222	SEG[85]	1127	-374
223	SEG[86]	1185	-374
224	SEG[87]	1243	-374
225	SEG[88]	1301	-374
226	SEG[89]	1359	-374
227	SEG[90]	1417	-374
228	SEG[91]	1475	-374
229	SEG[92]	1533	-374
230	SEG[93]	1591	-374
231	SEG[94]	1649	-374
232	SEG[95]	1707	-374
233	SEG[96]	1765	-374
234	SEG[97]	1823	-374
235	SEG[98]	1881	-374
236	SEG[99]	1939	-374
237	SEG[100]	1997	-374
238	SEG[101]	2055	-374
239	SEG[102]	2113	-374
240	SEG[103]	2171	-374
241	SEG[104]	2229	-374
242	SEG[105]	2287	-374
243	SEG[106]	2345	-374
244	SEG[107]	2403	-374
245	SEG[108]	2461	-374

PAD No.	PIN Name	X	Y
246	SEG[109]	2519	-374
247	SEG[110]	2577	-374
248	SEG[111]	2635	-374
249	SEG[112]	2693	-374
250	SEG[113]	2751	-374
251	SEG[114]	2809	-374
252	SEG[115]	2867	-374
253	SEG[116]	2925	-374
254	SEG[117]	2983	-374
255	SEG[118]	3041	-374
256	SEG[119]	3099	-374
257	SEG[120]	3157	-374
258	SEG[121]	3215	-374
259	SEG[122]	3273	-374
260	SEG[123]	3331	-374
261	SEG[124]	3389	-374
262	SEG[125]	3447	-374
263	SEG[126]	3505	-374
264	SEG[127]	3563	-374
265	SEG[128]	3621	-374
266	SEG[129]	3679	-374
267	SEG[130]	3737	-374
268	SEG[131]	3795	-374
269	COM[32]	3853	-374
270	COM[33]	3911	-374
271	COM[34]	3969	-374
272	COM[35]	4027	-374
273	COM[36]	4085	-374
274	COM[37]	4143	-374
275	COM[38]	4201	-374
276	COM[39]	4259	-374
277	COM[40]	4542	-345
278	COM[41]	4542	-287
279	COM[42]	4542	-229
280	COM[43]	4542	-171
281	COM[44]	4542	-113
282	COM[45]	4542	-55
283	COM[46]	4542	3
284	COM[47]	4542	61
285	COM[48]	4542	119
286	COM[49]	4542	177
287	COM[50]	4542	235
288	COM[51]	4542	293
289	COM[52]	4542	351
290	(NC)	4542	404

Pad Center Coordinates (1/49 Duty)

Units: μm

PAD No.	PIN Name	X	Y
1	COM[37]	4241	374
2	COM[38]	4183	374
3	COM[39]	4125	374
4	COM[40]	4067	374
5	COM[41]	4009	374
6	COM[42]	3951	374
7	COM[43]	3893	374
8	COM[44]	3835	374
9	COM[45]	3777	374
10	COM[46]	3719	374
11	COM[47]	3661	374
12	COMS1	3603	374
13	FRS	3443	389
14	FR	3369	389
15	CL	3295	389
16	/DOF	3221	389
17	VSS	3147	389
18	/CS1	3073	389
19	CS2	2999	389
20	VDD	2925	389
21	/RES	2851	389
22	A0	2777	389
23	VSS	2703	389
24	/WR(R/W)	2629	389
25	/RD(E)	2555	389
26	VDD	2481	389
27	D0	2407	389
28	D1	2333	389
29	D2	2259	389
30	D3	2185	389
31	D4	2111	389
32	D5	2037	389
33	D6	1963	389
34	D7	1889	389
35	VDD	1815	389
36	VDD	1741	389
37	VDD	1667	389
38	VSS	1593	389
39	VSS	1519	389
40	VSS2	1445	389
41	VSS2	1371	389
42	VOUT	1297	389
43	VOUT	1223	389
44	CAP5-	1149	389
45	CAP5-	1075	389
46	CAP1+	1001	389
47	CAP1+	927	389

PAD No.	PIN Name	X	Y
48	CAP3-	853	389
49	CAP3-	779	389
50	CAP1+	705	389
51	CAP1+	631	389
52	CAP1-	557	389
53	CAP1-	483	389
54	CAP2-	409	389
55	CAP2-	335	389
56	CAP2+	261	389
57	CAP2+	187	389
58	CAP4-	113	389
59	CAP4-	39	389
60	VSS	-35	389
61	VSS	-109	389
62	VRS	-183	389
63	VRS	-257	389
64	VDD	-331	389
65	VDD	-405	389
66	V1	-479	389
67	V1	-553	389
68	V2	-627	389
69	V2	-701	389
70	V3	-775	389
71	V3	-849	389
72	V4	-923	389
73	V4	-997	389
74	V5	-1071	389
75	V5	-1145	389
76	VR	-1219	389
77	VR	-1293	389
78	VDD	-1367	389
79	VDD	-1441	389
80	TEST0	-1515	389
81	TEST1	-1589	389
82	TEST2	-1663	389
83	TEST3	-1737	389
84	TEST4	-1811	389
85	TEST5	-1885	389
86	VDD	-1959	389
87	M/S	-2033	389
88	CLS	-2107	389
89	VSS	-2181	389
90	C86	-2255	389
91	P/S	-2329	389
92	VDD	-2403	389
93	/HPM	-2477	389
94	VSS	-2551	389

ST7565V

PAD No.	PIN Name	X	Y	PAD No.	PIN Name	X	Y
95	IRS	-2625	389	147	SEG[10]	-3223	-374
96	VDD	-2699	389	148	SEG[11]	-3165	-374
97	SEL1	-2773	389	149	SEG[12]	-3107	-374
98	VSS	-2847	389	150	SEG[13]	-3049	-374
99	SEL2	-2921	389	151	SEG[14]	-2991	-374
100	VDD	-2995	389	152	SEG[15]	-2933	-374
101	SEL3	-3069	389	153	SEG[16]	-2875	-374
102	VSS	-3143	389	154	SEG[17]	-2817	-374
103	Reserve	-3606	374	155	SEG[18]	-2759	-374
104	Reserve	-3664	374	156	SEG[19]	-2701	-374
105	Reserve	-3722	374	157	SEG[20]	-2643	-374
106	Reserve	-3780	374	158	SEG[21]	-2585	-374
107	Reserve	-3838	374	159	SEG[22]	-2527	-374
108	Reserve	-3896	374	160	SEG[23]	-2469	-374
109	Reserve	-3954	374	161	SEG[24]	-2411	-374
110	Reserve	-4012	374	162	SEG[25]	-2353	-374
111	COM[23]	-4070	374	163	SEG[26]	-2295	-374
112	COM[22]	-4128	374	164	SEG[27]	-2237	-374
113	COM[21]	-4186	374	165	SEG[28]	-2179	-374
114	COM[20]	-4244	374	166	SEG[29]	-2121	-374
115	(NC)	-4542	404	167	SEG[30]	-2063	-374
116	COM[19]	-4542	351	168	SEG[31]	-2005	-374
117	COM[18]	-4542	293	169	SEG[32]	-1947	-374
118	COM[17]	-4542	235	170	SEG[33]	-1889	-374
119	COM[16]	-4542	177	171	SEG[34]	-1831	-374
120	COM[15]	-4542	119	172	SEG[35]	-1773	-374
121	COM[14]	-4542	61	173	SEG[36]	-1715	-374
122	COM[13]	-4542	3	174	SEG[37]	-1657	-374
123	COM[12]	-4542	-55	175	SEG[38]	-1599	-374
124	COM[11]	-4542	-113	176	SEG[39]	-1541	-374
125	COM[10]	-4542	-171	177	SEG[40]	-1483	-374
126	COM[9]	-4542	-229	178	SEG[41]	-1425	-374
127	COM[8]	-4542	-287	179	SEG[42]	-1367	-374
128	COM[7]	-4542	-345	180	SEG[43]	-1309	-374
129	COM[6]	-4267	-374	181	SEG[44]	-1251	-374
130	COM[5]	-4209	-374	182	SEG[45]	-1193	-374
131	COM[4]	-4151	-374	183	SEG[46]	-1135	-374
132	COM[3]	-4093	-374	184	SEG[47]	-1077	-374
133	COM[2]	-4035	-374	185	SEG[48]	-1019	-374
134	COM[1]	-3977	-374	186	SEG[49]	-961	-374
135	COM[0]	-3919	-374	187	SEG[50]	-903	-374
136	COMS2	-3861	-374	188	SEG[51]	-845	-374
137	SEG[0]	-3803	-374	189	SEG[52]	-787	-374
138	SEG[1]	-3745	-374	190	SEG[53]	-729	-374
139	SEG[2]	-3687	-374	191	SEG[54]	-671	-374
140	SEG[3]	-3629	-374	192	SEG[55]	-613	-374
141	SEG[4]	-3571	-374	193	SEG[56]	-555	-374
142	SEG[5]	-3513	-374	194	SEG[57]	-497	-374
143	SEG[6]	-3455	-374	195	SEG[58]	-439	-374
144	SEG[7]	-3397	-374	196	SEG[59]	-381	-374
145	SEG[8]	-3339	-374	197	SEG[60]	-323	-374
146	SEG[9]	-3281	-374	198	SEG[61]	-265	-374

ST7565V

PAD No.	PIN Name	X	Y
199	SEG[62]	-207	-374
200	SEG[63]	-149	-374
201	SEG[64]	-91	-374
202	SEG[65]	-33	-374
203	SEG[66]	25	-374
204	SEG[67]	83	-374
205	SEG[68]	141	-374
206	SEG[69]	199	-374
207	SEG[70]	257	-374
208	SEG[71]	315	-374
209	SEG[72]	373	-374
210	SEG[73]	431	-374
211	SEG[74]	489	-374
212	SEG[75]	547	-374
213	SEG[76]	605	-374
214	SEG[77]	663	-374
215	SEG[78]	721	-374
216	SEG[79]	779	-374
217	SEG[80]	837	-374
218	SEG[81]	895	-374
219	SEG[82]	953	-374
220	SEG[83]	1011	-374
221	SEG[84]	1069	-374
222	SEG[85]	1127	-374
223	SEG[86]	1185	-374
224	SEG[87]	1243	-374
225	SEG[88]	1301	-374
226	SEG[89]	1359	-374
227	SEG[90]	1417	-374
228	SEG[91]	1475	-374
229	SEG[92]	1533	-374
230	SEG[93]	1591	-374
231	SEG[94]	1649	-374
232	SEG[95]	1707	-374
233	SEG[96]	1765	-374
234	SEG[97]	1823	-374
235	SEG[98]	1881	-374
236	SEG[99]	1939	-374
237	SEG[100]	1997	-374
238	SEG[101]	2055	-374
239	SEG[102]	2113	-374
240	SEG[103]	2171	-374
241	SEG[104]	2229	-374
242	SEG[105]	2287	-374
243	SEG[106]	2345	-374
244	SEG[107]	2403	-374
245	SEG[108]	2461	-374

PAD No.	PIN Name	X	Y
246	SEG[109]	2519	-374
247	SEG[110]	2577	-374
248	SEG[111]	2635	-374
249	SEG[112]	2693	-374
250	SEG[113]	2751	-374
251	SEG[114]	2809	-374
252	SEG[115]	2867	-374
253	SEG[116]	2925	-374
254	SEG[117]	2983	-374
255	SEG[118]	3041	-374
256	SEG[119]	3099	-374
257	SEG[120]	3157	-374
258	SEG[121]	3215	-374
259	SEG[122]	3273	-374
260	SEG[123]	3331	-374
261	SEG[124]	3389	-374
262	SEG[125]	3447	-374
263	SEG[126]	3505	-374
264	SEG[127]	3563	-374
265	SEG[128]	3621	-374
266	SEG[129]	3679	-374
267	SEG[130]	3737	-374
268	SEG[131]	3795	-374
269	Reserve	3853	-374
270	Reserve	3911	-374
271	Reserve	3969	-374
272	Reserve	4027	-374
273	Reserve	4085	-374
274	Reserve	4143	-374
275	Reserve	4201	-374
276	Reserve	4259	-374
277	COM[24]	4542	-345
278	COM[25]	4542	-287
279	COM[26]	4542	-229
280	COM[27]	4542	-171
281	COM[28]	4542	-113
282	COM[29]	4542	-55
283	COM[30]	4542	3
284	COM[31]	4542	61
285	COM[32]	4542	119
286	COM[33]	4542	177
287	COM[34]	4542	235
288	COM[35]	4542	293
289	COM[36]	4542	351
290	(NC)	4542	404

Pad Center Coordinates (1/33 Duty)

Units: μm

PAD No.	PIN Name	X	Y
1	COM[21]	4241	374
2	COM[22]	4183	374
3	COM[23]	4125	374
4	COM[24]	4067	374
5	COM[25]	4009	374
6	COM[26]	3951	374
7	COM[27]	3893	374
8	COM[28]	3835	374
9	COM[29]	3777	374
10	COM[30]	3719	374
11	COM[31]	3661	374
12	COMS1	3603	374
13	FRS	3443	389
14	FR	3369	389
15	CL	3295	389
16	/DOF	3221	389
17	VSS	3147	389
18	/CS1	3073	389
19	CS2	2999	389
20	VDD	2925	389
21	/RES	2851	389
22	A0	2777	389
23	VSS	2703	389
24	/WR(R/W)	2629	389
25	/RD(E)	2555	389
26	VDD	2481	389
27	D0	2407	389
28	D1	2333	389
29	D2	2259	389
30	D3	2185	389
31	D4	2111	389
32	D5	2037	389
33	D6	1963	389
34	D7	1889	389
35	VDD	1815	389
36	VDD	1741	389
37	VDD	1667	389
38	VSS	1593	389
39	VSS	1519	389
40	VSS2	1445	389
41	VSS2	1371	389
42	VOUT	1297	389
43	VOUT	1223	389
44	CAP5-	1149	389
45	CAP5-	1075	389
46	CAP1+	1001	389
47	CAP1+	927	389

PAD No.	PIN Name	X	Y
48	CAP3-	853	389
49	CAP3-	779	389
50	CAP1+	705	389
51	CAP1+	631	389
52	CAP1-	557	389
53	CAP1-	483	389
54	CAP2-	409	389
55	CAP2-	335	389
56	CAP2+	261	389
57	CAP2+	187	389
58	CAP4-	113	389
59	CAP4-	39	389
60	VSS	-35	389
61	VSS	-109	389
62	VRS	-183	389
63	VRS	-257	389
64	VDD	-331	389
65	VDD	-405	389
66	V1	-479	389
67	V1	-553	389
68	V2	-627	389
69	V2	-701	389
70	V3	-775	389
71	V3	-849	389
72	V4	-923	389
73	V4	-997	389
74	V5	-1071	389
75	V5	-1145	389
76	VR	-1219	389
77	VR	-1293	389
78	VDD	-1367	389
79	VDD	-1441	389
80	TEST0	-1515	389
81	TEST1	-1589	389
82	TEST2	-1663	389
83	TEST3	-1737	389
84	TEST4	-1811	389
85	TEST5	-1885	389
86	VDD	-1959	389
87	M/S	-2033	389
88	CLS	-2107	389
89	VSS	-2181	389
90	C86	-2255	389
91	P/S	-2329	389
92	VDD	-2403	389
93	/HPM	-2477	389
94	VSS	-2551	389

ST7565V

PAD No.	PIN Name	X	Y	PAD No.	PIN Name	X	Y
95	IRS	-2625	389	147	SEG[10]	-3223	-374
96	VDD	-2699	389	148	SEG[11]	-3165	-374
97	SEL1	-2773	389	149	SEG[12]	-3107	-374
98	VSS	-2847	389	150	SEG[13]	-3049	-374
99	SEL2	-2921	389	151	SEG[14]	-2991	-374
100	VDD	-2995	389	152	SEG[15]	-2933	-374
101	SEL3	-3069	389	153	SEG[16]	-2875	-374
102	VSS	-3143	389	154	SEG[17]	-2817	-374
103	Reserve	-3606	374	155	SEG[18]	-2759	-374
104	Reserve	-3664	374	156	SEG[19]	-2701	-374
105	Reserve	-3722	374	157	SEG[20]	-2643	-374
106	Reserve	-3780	374	158	SEG[21]	-2585	-374
107	Reserve	-3838	374	159	SEG[22]	-2527	-374
108	Reserve	-3896	374	160	SEG[23]	-2469	-374
109	Reserve	-3954	374	161	SEG[24]	-2411	-374
110	Reserve	-4012	374	162	SEG[25]	-2353	-374
111	Reserve	-4070	374	163	SEG[26]	-2295	-374
112	Reserve	-4128	374	164	SEG[27]	-2237	-374
113	Reserve	-4186	374	165	SEG[28]	-2179	-374
114	Reserve	-4244	374	166	SEG[29]	-2121	-374
115	(NC)	-4542	404	167	SEG[30]	-2063	-374
116	Reserve	-4542	351	168	SEG[31]	-2005	-374
117	Reserve	-4542	293	169	SEG[32]	-1947	-374
118	Reserve	-4542	235	170	SEG[33]	-1889	-374
119	Reserve	-4542	177	171	SEG[34]	-1831	-374
120	COM[15]	-4542	119	172	SEG[35]	-1773	-374
121	COM[14]	-4542	61	173	SEG[36]	-1715	-374
122	COM[13]	-4542	3	174	SEG[37]	-1657	-374
123	COM[12]	-4542	-55	175	SEG[38]	-1599	-374
124	COM[11]	-4542	-113	176	SEG[39]	-1541	-374
125	COM[10]	-4542	-171	177	SEG[40]	-1483	-374
126	COM[9]	-4542	-229	178	SEG[41]	-1425	-374
127	COM[8]	-4542	-287	179	SEG[42]	-1367	-374
128	COM[7]	-4542	-345	180	SEG[43]	-1309	-374
129	COM[6]	-4267	-374	181	SEG[44]	-1251	-374
130	COM[5]	-4209	-374	182	SEG[45]	-1193	-374
131	COM[4]	-4151	-374	183	SEG[46]	-1135	-374
132	COM[3]	-4093	-374	184	SEG[47]	-1077	-374
133	COM[2]	-4035	-374	185	SEG[48]	-1019	-374
134	COM[1]	-3977	-374	186	SEG[49]	-961	-374
135	COM[0]	-3919	-374	187	SEG[50]	-903	-374
136	COMS2	-3861	-374	188	SEG[51]	-845	-374
137	SEG[0]	-3803	-374	189	SEG[52]	-787	-374
138	SEG[1]	-3745	-374	190	SEG[53]	-729	-374
139	SEG[2]	-3687	-374	191	SEG[54]	-671	-374
140	SEG[3]	-3629	-374	192	SEG[55]	-613	-374
141	SEG[4]	-3571	-374	193	SEG[56]	-555	-374
142	SEG[5]	-3513	-374	194	SEG[57]	-497	-374
143	SEG[6]	-3455	-374	195	SEG[58]	-439	-374
144	SEG[7]	-3397	-374	196	SEG[59]	-381	-374
145	SEG[8]	-3339	-374	197	SEG[60]	-323	-374
146	SEG[9]	-3281	-374	198	SEG[61]	-265	-374

ST7565V

PAD No.	PIN Name	X	Y
199	SEG[62]	-207	-374
200	SEG[63]	-149	-374
201	SEG[64]	-91	-374
202	SEG[65]	-33	-374
203	SEG[66]	25	-374
204	SEG[67]	83	-374
205	SEG[68]	141	-374
206	SEG[69]	199	-374
207	SEG[70]	257	-374
208	SEG[71]	315	-374
209	SEG[72]	373	-374
210	SEG[73]	431	-374
211	SEG[74]	489	-374
212	SEG[75]	547	-374
213	SEG[76]	605	-374
214	SEG[77]	663	-374
215	SEG[78]	721	-374
216	SEG[79]	779	-374
217	SEG[80]	837	-374
218	SEG[81]	895	-374
219	SEG[82]	953	-374
220	SEG[83]	1011	-374
221	SEG[84]	1069	-374
222	SEG[85]	1127	-374
223	SEG[86]	1185	-374
224	SEG[87]	1243	-374
225	SEG[88]	1301	-374
226	SEG[89]	1359	-374
227	SEG[90]	1417	-374
228	SEG[91]	1475	-374
229	SEG[92]	1533	-374
230	SEG[93]	1591	-374
231	SEG[94]	1649	-374
232	SEG[95]	1707	-374
233	SEG[96]	1765	-374
234	SEG[97]	1823	-374
235	SEG[98]	1881	-374
236	SEG[99]	1939	-374
237	SEG[100]	1997	-374
238	SEG[101]	2055	-374
239	SEG[102]	2113	-374
240	SEG[103]	2171	-374
241	SEG[104]	2229	-374
242	SEG[105]	2287	-374
243	SEG[106]	2345	-374
244	SEG[107]	2403	-374
245	SEG[108]	2461	-374

PAD No.	PIN Name	X	Y
246	SEG[109]	2519	-374
247	SEG[110]	2577	-374
248	SEG[111]	2635	-374
249	SEG[112]	2693	-374
250	SEG[113]	2751	-374
251	SEG[114]	2809	-374
252	SEG[115]	2867	-374
253	SEG[116]	2925	-374
254	SEG[117]	2983	-374
255	SEG[118]	3041	-374
256	SEG[119]	3099	-374
257	SEG[120]	3157	-374
258	SEG[121]	3215	-374
259	SEG[122]	3273	-374
260	SEG[123]	3331	-374
261	SEG[124]	3389	-374
262	SEG[125]	3447	-374
263	SEG[126]	3505	-374
264	SEG[127]	3563	-374
265	SEG[128]	3621	-374
266	SEG[129]	3679	-374
267	SEG[130]	3737	-374
268	SEG[131]	3795	-374
269	Reserve	3853	-374
270	Reserve	3911	-374
271	Reserve	3969	-374
272	Reserve	4027	-374
273	Reserve	4085	-374
274	Reserve	4143	-374
275	Reserve	4201	-374
276	Reserve	4259	-374
277	Reserve	4542	-345
278	Reserve	4542	-287
279	Reserve	4542	-229
280	Reserve	4542	-171
281	Reserve	4542	-113
282	Reserve	4542	-55
283	Reserve	4542	3
284	Reserve	4542	61
285	COM[16]	4542	119
286	COM[17]	4542	177
287	COM[18]	4542	235
288	COM[19]	4542	293
289	COM[20]	4542	351
290	(NC)	4542	404

Pad Center Coordinates (1/55 Duty)

Units: μm

PAD No.	PIN Name	X	Y
1	COM[43]	4241	374
2	COM[44]	4183	374
3	COM[45]	4125	374
4	COM[46]	4067	374
5	COM[47]	4009	374
6	COM[48]	3951	374
7	COM[49]	3893	374
8	COM[50]	3835	374
9	COM[51]	3777	374
10	COM[52]	3719	374
11	COM[53]	3661	374
12	COMS1	3603	374
13	FRS	3443	389
14	FR	3369	389
15	CL	3295	389
16	/DOF	3221	389
17	VSS	3147	389
18	/CS1	3073	389
19	CS2	2999	389
20	VDD	2925	389
21	/RES	2851	389
22	A0	2777	389
23	VSS	2703	389
24	/WR(R/W)	2629	389
25	/RD(E)	2555	389
26	VDD	2481	389
27	D0	2407	389
28	D1	2333	389
29	D2	2259	389
30	D3	2185	389
31	D4	2111	389
32	D5	2037	389
33	D6	1963	389
34	D7	1889	389
35	VDD	1815	389
36	VDD	1741	389
37	VDD	1667	389
38	VSS	1593	389
39	VSS	1519	389
40	VSS2	1445	389
41	VSS2	1371	389
42	VOUT	1297	389
43	VOUT	1223	389
44	CAP5-	1149	389
45	CAP5-	1075	389
46	CAP1+	1001	389
47	CAP1+	927	389

PAD No.	PIN Name	X	Y
48	CAP3-	853	389
49	CAP3-	779	389
50	CAP1+	705	389
51	CAP1+	631	389
52	CAP1-	557	389
53	CAP1-	483	389
54	CAP2-	409	389
55	CAP2-	335	389
56	CAP2+	261	389
57	CAP2+	187	389
58	CAP4-	113	389
59	CAP4-	39	389
60	VSS	-35	389
61	VSS	-109	389
62	VRS	-183	389
63	VRS	-257	389
64	VDD	-331	389
65	VDD	-405	389
66	V1	-479	389
67	V1	-553	389
68	V2	-627	389
69	V2	-701	389
70	V3	-775	389
71	V3	-849	389
72	V4	-923	389
73	V4	-997	389
74	V5	-1071	389
75	V5	-1145	389
76	VR	-1219	389
77	VR	-1293	389
78	VDD	-1367	389
79	VDD	-1441	389
80	TEST0	-1515	389
81	TEST1	-1589	389
82	TEST2	-1663	389
83	TEST3	-1737	389
84	TEST4	-1811	389
85	TEST5	-1885	389
86	VDD	-1959	389
87	M/S	-2033	389
88	CLS	-2107	389
89	VSS	-2181	389
90	C86	-2255	389
91	P/S	-2329	389
92	VDD	-2403	389
93	/HPM	-2477	389
94	VSS	-2551	389

ST7565V

PAD No.	PIN Name	X	Y	PAD No.	PIN Name	X	Y
95	IRS	-2625	389	147	SEG[10]	-3223	-374
96	VDD	-2699	389	148	SEG[11]	-3165	-374
97	SEL1	-2773	389	149	SEG[12]	-3107	-374
98	VSS	-2847	389	150	SEG[13]	-3049	-374
99	SEL2	-2921	389	151	SEG[14]	-2991	-374
100	VDD	-2995	389	152	SEG[15]	-2933	-374
101	SEL3	-3069	389	153	SEG[16]	-2875	-374
102	VSS	-3143	389	154	SEG[17]	-2817	-374
103	Reserve	-3606	374	155	SEG[18]	-2759	-374
104	Reserve	-3664	374	156	SEG[19]	-2701	-374
105	Reserve	-3722	374	157	SEG[20]	-2643	-374
106	Reserve	-3780	374	158	SEG[21]	-2585	-374
107	Reserve	-3838	374	159	SEG[22]	-2527	-374
108	COM[26]	-3896	374	160	SEG[23]	-2469	-374
109	COM[25]	-3954	374	161	SEG[24]	-2411	-374
110	COM[24]	-4012	374	162	SEG[25]	-2353	-374
111	COM[23]	-4070	374	163	SEG[26]	-2295	-374
112	COM[22]	-4128	374	164	SEG[27]	-2237	-374
113	COM[21]	-4186	374	165	SEG[28]	-2179	-374
114	COM[20]	-4244	374	166	SEG[29]	-2121	-374
115	(NC)	-4542	404	167	SEG[30]	-2063	-374
116	COM[19]	-4542	351	168	SEG[31]	-2005	-374
117	COM[18]	-4542	293	169	SEG[32]	-1947	-374
118	COM[17]	-4542	235	170	SEG[33]	-1889	-374
119	COM[16]	-4542	177	171	SEG[34]	-1831	-374
120	COM[15]	-4542	119	172	SEG[35]	-1773	-374
121	COM[14]	-4542	61	173	SEG[36]	-1715	-374
122	COM[13]	-4542	3	174	SEG[37]	-1657	-374
123	COM[12]	-4542	-55	175	SEG[38]	-1599	-374
124	COM[11]	-4542	-113	176	SEG[39]	-1541	-374
125	COM[10]	-4542	-171	177	SEG[40]	-1483	-374
126	COM[9]	-4542	-229	178	SEG[41]	-1425	-374
127	COM[8]	-4542	-287	179	SEG[42]	-1367	-374
128	COM[7]	-4542	-345	180	SEG[43]	-1309	-374
129	COM[6]	-4267	-374	181	SEG[44]	-1251	-374
130	COM[5]	-4209	-374	182	SEG[45]	-1193	-374
131	COM[4]	-4151	-374	183	SEG[46]	-1135	-374
132	COM[3]	-4093	-374	184	SEG[47]	-1077	-374
133	COM[2]	-4035	-374	185	SEG[48]	-1019	-374
134	COM[1]	-3977	-374	186	SEG[49]	-961	-374
135	COM[0]	-3919	-374	187	SEG[50]	-903	-374
136	COMS2	-3861	-374	188	SEG[51]	-845	-374
137	SEG[0]	-3803	-374	189	SEG[52]	-787	-374
138	SEG[1]	-3745	-374	190	SEG[53]	-729	-374
139	SEG[2]	-3687	-374	191	SEG[54]	-671	-374
140	SEG[3]	-3629	-374	192	SEG[55]	-613	-374
141	SEG[4]	-3571	-374	193	SEG[56]	-555	-374
142	SEG[5]	-3513	-374	194	SEG[57]	-497	-374
143	SEG[6]	-3455	-374	195	SEG[58]	-439	-374
144	SEG[7]	-3397	-374	196	SEG[59]	-381	-374
145	SEG[8]	-3339	-374	197	SEG[60]	-323	-374
146	SEG[9]	-3281	-374	198	SEG[61]	-265	-374

ST7565V

PAD No.	PIN Name	X	Y
199	SEG[62]	-207	-374
200	SEG[63]	-149	-374
201	SEG[64]	-91	-374
202	SEG[65]	-33	-374
203	SEG[66]	25	-374
204	SEG[67]	83	-374
205	SEG[68]	141	-374
206	SEG[69]	199	-374
207	SEG[70]	257	-374
208	SEG[71]	315	-374
209	SEG[72]	373	-374
210	SEG[73]	431	-374
211	SEG[74]	489	-374
212	SEG[75]	547	-374
213	SEG[76]	605	-374
214	SEG[77]	663	-374
215	SEG[78]	721	-374
216	SEG[79]	779	-374
217	SEG[80]	837	-374
218	SEG[81]	895	-374
219	SEG[82]	953	-374
220	SEG[83]	1011	-374
221	SEG[84]	1069	-374
222	SEG[85]	1127	-374
223	SEG[86]	1185	-374
224	SEG[87]	1243	-374
225	SEG[88]	1301	-374
226	SEG[89]	1359	-374
227	SEG[90]	1417	-374
228	SEG[91]	1475	-374
229	SEG[92]	1533	-374
230	SEG[93]	1591	-374
231	SEG[94]	1649	-374
232	SEG[95]	1707	-374
233	SEG[96]	1765	-374
234	SEG[97]	1823	-374
235	SEG[98]	1881	-374
236	SEG[99]	1939	-374
237	SEG[100]	1997	-374
238	SEG[101]	2055	-374
239	SEG[102]	2113	-374
240	SEG[103]	2171	-374
241	SEG[104]	2229	-374
242	SEG[105]	2287	-374
243	SEG[106]	2345	-374
244	SEG[107]	2403	-374
245	SEG[108]	2461	-374

PAD No.	PIN Name	X	Y
246	SEG[109]	2519	-374
247	SEG[110]	2577	-374
248	SEG[111]	2635	-374
249	SEG[112]	2693	-374
250	SEG[113]	2751	-374
251	SEG[114]	2809	-374
252	SEG[115]	2867	-374
253	SEG[116]	2925	-374
254	SEG[117]	2983	-374
255	SEG[118]	3041	-374
256	SEG[119]	3099	-374
257	SEG[120]	3157	-374
258	SEG[121]	3215	-374
259	SEG[122]	3273	-374
260	SEG[123]	3331	-374
261	SEG[124]	3389	-374
262	SEG[125]	3447	-374
263	SEG[126]	3505	-374
264	SEG[127]	3563	-374
265	SEG[128]	3621	-374
266	SEG[129]	3679	-374
267	SEG[130]	3737	-374
268	SEG[131]	3795	-374
269	Reserve	3853	-374
270	Reserve	3911	-374
271	Reserve	3969	-374
272	Reserve	4027	-374
273	Reserve	4085	-374
274	COM[27]	4143	-374
275	COM[28]	4201	-374
276	COM[29]	4259	-374
277	COM[30]	4542	-345
278	COM[31]	4542	-287
279	COM[32]	4542	-229
280	COM[33]	4542	-171
281	COM[34]	4542	-113
282	COM[35]	4542	-55
283	COM[36]	4542	3
284	COM[37]	4542	61
285	COM[38]	4542	119
286	COM[39]	4542	177
287	COM[40]	4542	235
288	COM[41]	4542	293
289	COM[42]	4542	351
290	(NC)	4542	404

Pad Center Coordinates (1/53 Duty)

Units: μm

PAD No.	PIN Name	X	Y
1	COM[41]	4241	374
2	COM[42]	4183	374
3	COM[43]	4125	374
4	COM[44]	4067	374
5	COM[45]	4009	374
6	COM[46]	3951	374
7	COM[47]	3893	374
8	COM[48]	3835	374
9	COM[49]	3777	374
10	COM[50]	3719	374
11	COM[51]	3661	374
12	COMS1	3603	374
13	FRS	3443	389
14	FR	3369	389
15	CL	3295	389
16	/DOF	3221	389
17	VSS	3147	389
18	/CS1	3073	389
19	CS2	2999	389
20	VDD	2925	389
21	/RES	2851	389
22	A0	2777	389
23	VSS	2703	389
24	/WR(R/W)	2629	389
25	/RD(E)	2555	389
26	VDD	2481	389
27	D0	2407	389
28	D1	2333	389
29	D2	2259	389
30	D3	2185	389
31	D4	2111	389
32	D5	2037	389
33	D6	1963	389
34	D7	1889	389
35	VDD	1815	389
36	VDD	1741	389
37	VDD	1667	389
38	VSS	1593	389
39	VSS	1519	389
40	VSS2	1445	389
41	VSS2	1371	389
42	VOUT	1297	389
43	VOUT	1223	389
44	CAP5-	1149	389
45	CAP5-	1075	389
46	CAP1+	1001	389
47	CAP1+	927	389

PAD No.	PIN Name	X	Y
48	CAP3-	853	389
49	CAP3-	779	389
50	CAP1+	705	389
51	CAP1+	631	389
52	CAP1-	557	389
53	CAP1-	483	389
54	CAP2-	409	389
55	CAP2-	335	389
56	CAP2+	261	389
57	CAP2+	187	389
58	CAP4-	113	389
59	CAP4-	39	389
60	VSS	-35	389
61	VSS	-109	389
62	VRS	-183	389
63	VRS	-257	389
64	VDD	-331	389
65	VDD	-405	389
66	V1	-479	389
67	V1	-553	389
68	V2	-627	389
69	V2	-701	389
70	V3	-775	389
71	V3	-849	389
72	V4	-923	389
73	V4	-997	389
74	V5	-1071	389
75	V5	-1145	389
76	VR	-1219	389
77	VR	-1293	389
78	VDD	-1367	389
79	VDD	-1441	389
80	TEST0	-1515	389
81	TEST1	-1589	389
82	TEST2	-1663	389
83	TEST3	-1737	389
84	TEST4	-1811	389
85	TEST5	-1885	389
86	VDD	-1959	389
87	M/S	-2033	389
88	CLS	-2107	389
89	VSS	-2181	389
90	C86	-2255	389
91	P/S	-2329	389
92	VDD	-2403	389
93	/HPM	-2477	389
94	VSS	-2551	389

ST7565V

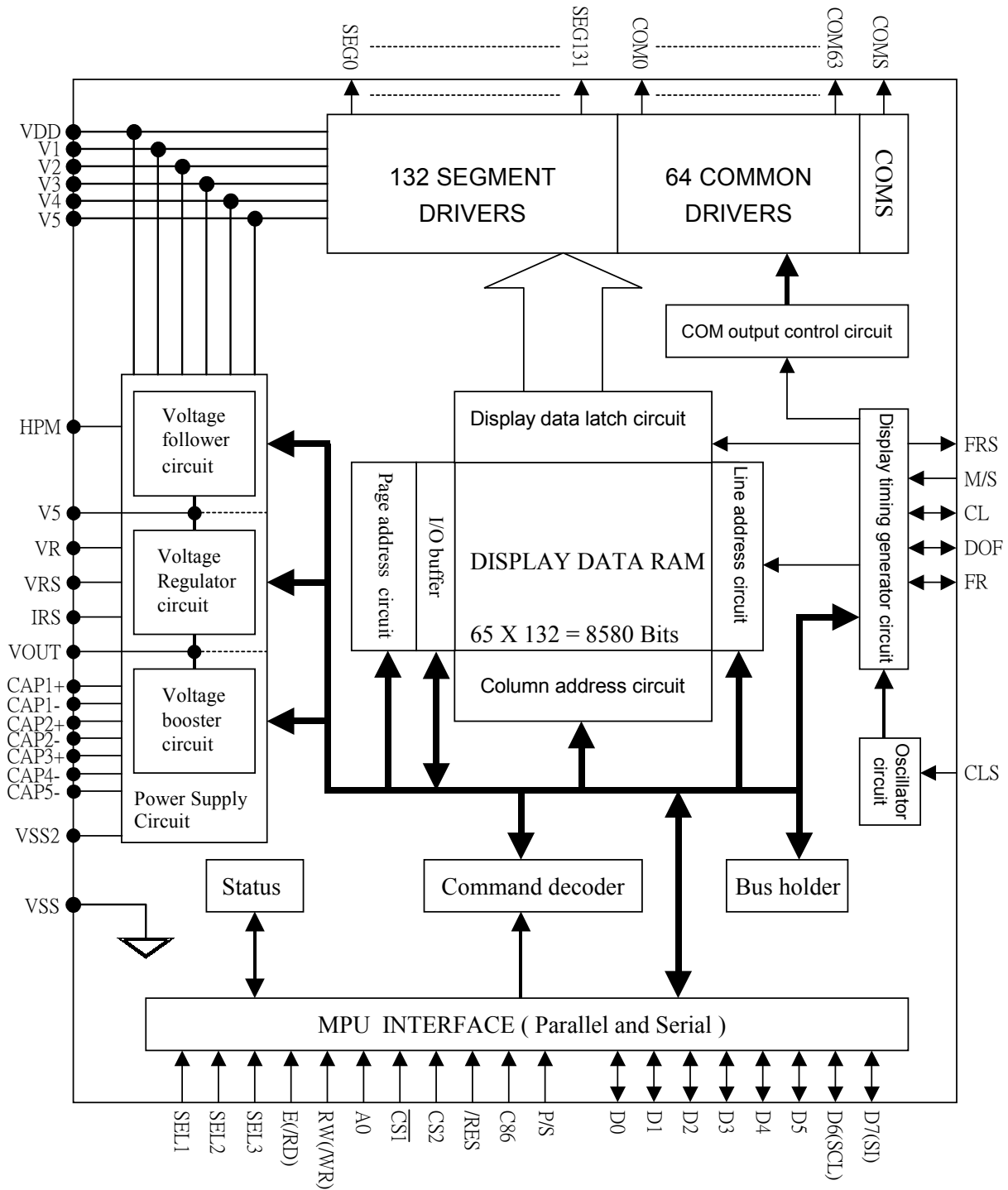
PAD No.	PIN Name	X	Y		PAD No.	PIN Name	X	Y
95	IRS	-2625	389		147	SEG[10]	-3223	-374
96	VDD	-2699	389		148	SEG[11]	-3165	-374
97	SEL1	-2773	389		149	SEG[12]	-3107	-374
98	VSS	-2847	389		150	SEG[13]	-3049	-374
99	SEL2	-2921	389		151	SEG[14]	-2991	-374
100	VDD	-2995	389		152	SEG[15]	-2933	-374
101	SEL3	-3069	389		153	SEG[16]	-2875	-374
102	VSS	-3143	389		154	SEG[17]	-2817	-374
103	Reserve	-3606	374		155	SEG[18]	-2759	-374
104	Reserve	-3664	374		156	SEG[19]	-2701	-374
105	Reserve	-3722	374		157	SEG[20]	-2643	-374
106	Reserve	-3780	374		158	SEG[21]	-2585	-374
107	Reserve	-3838	374		159	SEG[22]	-2527	-374
108	Reserve	-3896	374		160	SEG[23]	-2469	-374
109	COM[25]	-3954	374		161	SEG[24]	-2411	-374
110	COM[24]	-4012	374		162	SEG[25]	-2353	-374
111	COM[23]	-4070	374		163	SEG[26]	-2295	-374
112	COM[22]	-4128	374		164	SEG[27]	-2237	-374
113	COM[21]	-4186	374		165	SEG[28]	-2179	-374
114	COM[20]	-4244	374		166	SEG[29]	-2121	-374
115	(NC)	-4542	404		167	SEG[30]	-2063	-374
116	COM[19]	-4542	351		168	SEG[31]	-2005	-374
117	COM[18]	-4542	293		169	SEG[32]	-1947	-374
118	COM[17]	-4542	235		170	SEG[33]	-1889	-374
119	COM[16]	-4542	177		171	SEG[34]	-1831	-374
120	COM[15]	-4542	119		172	SEG[35]	-1773	-374
121	COM[14]	-4542	61		173	SEG[36]	-1715	-374
122	COM[13]	-4542	3		174	SEG[37]	-1657	-374
123	COM[12]	-4542	-55		175	SEG[38]	-1599	-374
124	COM[11]	-4542	-113		176	SEG[39]	-1541	-374
125	COM[10]	-4542	-171		177	SEG[40]	-1483	-374
126	COM[9]	-4542	-229		178	SEG[41]	-1425	-374
127	COM[8]	-4542	-287		179	SEG[42]	-1367	-374
128	COM[7]	-4542	-345		180	SEG[43]	-1309	-374
129	COM[6]	-4267	-374		181	SEG[44]	-1251	-374
130	COM[5]	-4209	-374		182	SEG[45]	-1193	-374
131	COM[4]	-4151	-374		183	SEG[46]	-1135	-374
132	COM[3]	-4093	-374		184	SEG[47]	-1077	-374
133	COM[2]	-4035	-374		185	SEG[48]	-1019	-374
134	COM[1]	-3977	-374		186	SEG[49]	-961	-374
135	COM[0]	-3919	-374		187	SEG[50]	-903	-374
136	COMS2	-3861	-374		188	SEG[51]	-845	-374
137	SEG[0]	-3803	-374		189	SEG[52]	-787	-374
138	SEG[1]	-3745	-374		190	SEG[53]	-729	-374
139	SEG[2]	-3687	-374		191	SEG[54]	-671	-374
140	SEG[3]	-3629	-374		192	SEG[55]	-613	-374
141	SEG[4]	-3571	-374		193	SEG[56]	-555	-374
142	SEG[5]	-3513	-374		194	SEG[57]	-497	-374
143	SEG[6]	-3455	-374		195	SEG[58]	-439	-374
144	SEG[7]	-3397	-374		196	SEG[59]	-381	-374
145	SEG[8]	-3339	-374		197	SEG[60]	-323	-374
146	SEG[9]	-3281	-374		198	SEG[61]	-265	-374

ST7565V

PAD No.	PIN Name	X	Y
199	SEG[62]	-207	-374
200	SEG[63]	-149	-374
201	SEG[64]	-91	-374
202	SEG[65]	-33	-374
203	SEG[66]	25	-374
204	SEG[67]	83	-374
205	SEG[68]	141	-374
206	SEG[69]	199	-374
207	SEG[70]	257	-374
208	SEG[71]	315	-374
209	SEG[72]	373	-374
210	SEG[73]	431	-374
211	SEG[74]	489	-374
212	SEG[75]	547	-374
213	SEG[76]	605	-374
214	SEG[77]	663	-374
215	SEG[78]	721	-374
216	SEG[79]	779	-374
217	SEG[80]	837	-374
218	SEG[81]	895	-374
219	SEG[82]	953	-374
220	SEG[83]	1011	-374
221	SEG[84]	1069	-374
222	SEG[85]	1127	-374
223	SEG[86]	1185	-374
224	SEG[87]	1243	-374
225	SEG[88]	1301	-374
226	SEG[89]	1359	-374
227	SEG[90]	1417	-374
228	SEG[91]	1475	-374
229	SEG[92]	1533	-374
230	SEG[93]	1591	-374
231	SEG[94]	1649	-374
232	SEG[95]	1707	-374
233	SEG[96]	1765	-374
234	SEG[97]	1823	-374
235	SEG[98]	1881	-374
236	SEG[99]	1939	-374
237	SEG[100]	1997	-374
238	SEG[101]	2055	-374
239	SEG[102]	2113	-374
240	SEG[103]	2171	-374
241	SEG[104]	2229	-374
242	SEG[105]	2287	-374
243	SEG[106]	2345	-374
244	SEG[107]	2403	-374
245	SEG[108]	2461	-374

PAD No.	PIN Name	X	Y
246	SEG[109]	2519	-374
247	SEG[110]	2577	-374
248	SEG[111]	2635	-374
249	SEG[112]	2693	-374
250	SEG[113]	2751	-374
251	SEG[114]	2809	-374
252	SEG[115]	2867	-374
253	SEG[116]	2925	-374
254	SEG[117]	2983	-374
255	SEG[118]	3041	-374
256	SEG[119]	3099	-374
257	SEG[120]	3157	-374
258	SEG[121]	3215	-374
259	SEG[122]	3273	-374
260	SEG[123]	3331	-374
261	SEG[124]	3389	-374
262	SEG[125]	3447	-374
263	SEG[126]	3505	-374
264	SEG[127]	3563	-374
265	SEG[128]	3621	-374
266	SEG[129]	3679	-374
267	SEG[130]	3737	-374
268	SEG[131]	3795	-374
269	Reserve	3853	-374
270	Reserve	3911	-374
271	Reserve	3969	-374
272	Reserve	4027	-374
273	Reserve	4085	-374
274	Reserve	4143	-374
275	COM[26]	4201	-374
276	COM[27]	4259	-374
277	COM[28]	4542	-345
278	COM[29]	4542	-287
279	COM[30]	4542	-229
280	COM[31]	4542	-171
281	COM[32]	4542	-113
282	COM[33]	4542	-55
283	COM[34]	4542	3
284	COM[35]	4542	61
285	COM[36]	4542	119
286	COM[37]	4542	177
287	COM[38]	4542	235
288	COM[39]	4542	293
289	COM[40]	4542	351
290	(NC)	4542	404

BLOCK DIAGRAM



ST7565V

PIN DESCRIPTIONS

Power Supply Pins

Pin Name	I/O	Function	No. of Pins																														
VDD	Power Supply	Shared with the MPU power supply terminal Vcc.	13																														
VSS	Power Supply	This is a 0V terminal connected to the system GND.	10																														
VSS2	Power Supply	This is the reference power supply for the step-up voltage circuit for the liquid crystal drive.	2																														
VRS	Power Supply	This is the internal-output VREG power supply for the LCD power supply voltage regulator.	2																														
V1, V2, V3, V4, V5	Power Supply	<p>This is a multi-level power supply for the liquid crystal drive. The voltage Supply applied is determined by the liquid crystal cell, and is changed through the use of a resistive voltage divided or through changing the impedance using an op. amp. Voltage levels are determined based on VDD, and must maintain the relative magnitudes shown below.</p> <p>$VDD (= V0) \geq V1 \geq V2 \geq V3 \geq V4 \geq V5$</p> <p>When the power supply turns ON, the internal power supply circuits produce the V1 to V4 voltages shown below. The voltage settings are selected using the LCD bias set command.</p> <table border="1"> <thead> <tr> <th></th> <th>1/65 DUTY</th> <th>1/49 DUTY</th> <th>1/33 DUTY</th> <th>1/55 DUTY</th> <th>1/53 DUTY</th> </tr> </thead> <tbody> <tr> <td>V1</td> <td>1/9*V5, 1/7*V5</td> <td>1/8*V5, 1/6*V5</td> <td>1/6*V5, 1/5*V5</td> <td>1/8*V5, 1/6*V5</td> <td>1/8*V5, 1/6*V5</td> </tr> <tr> <td>V2</td> <td>2/9*V5, 2/7*V5</td> <td>2/8*V5, 2/6*V5</td> <td>2/6*V5, 2/5*V5</td> <td>2/8*V5, 2/6*V5</td> <td>2/8*V5, 2/6*V5</td> </tr> <tr> <td>V3</td> <td>7/9*V5, 5/7*V5</td> <td>6/8*V5, 4/6*V5</td> <td>4/6*V5, 3/5*V5</td> <td>6/8*V5, 4/6*V5</td> <td>6/8*V5, 4/6*V5</td> </tr> <tr> <td>V4</td> <td>8/9*V5, 6/7*V5</td> <td>7/8*V5, 5/6*V5</td> <td>5/6*V5, 4/5*V5</td> <td>7/8*V5, 5/6*V5</td> <td>7/8*V5, 5/6*V5</td> </tr> </tbody> </table>		1/65 DUTY	1/49 DUTY	1/33 DUTY	1/55 DUTY	1/53 DUTY	V1	1/9*V5, 1/7*V5	1/8*V5, 1/6*V5	1/6*V5, 1/5*V5	1/8*V5, 1/6*V5	1/8*V5, 1/6*V5	V2	2/9*V5, 2/7*V5	2/8*V5, 2/6*V5	2/6*V5, 2/5*V5	2/8*V5, 2/6*V5	2/8*V5, 2/6*V5	V3	7/9*V5, 5/7*V5	6/8*V5, 4/6*V5	4/6*V5, 3/5*V5	6/8*V5, 4/6*V5	6/8*V5, 4/6*V5	V4	8/9*V5, 6/7*V5	7/8*V5, 5/6*V5	5/6*V5, 4/5*V5	7/8*V5, 5/6*V5	7/8*V5, 5/6*V5	10
	1/65 DUTY	1/49 DUTY	1/33 DUTY	1/55 DUTY	1/53 DUTY																												
V1	1/9*V5, 1/7*V5	1/8*V5, 1/6*V5	1/6*V5, 1/5*V5	1/8*V5, 1/6*V5	1/8*V5, 1/6*V5																												
V2	2/9*V5, 2/7*V5	2/8*V5, 2/6*V5	2/6*V5, 2/5*V5	2/8*V5, 2/6*V5	2/8*V5, 2/6*V5																												
V3	7/9*V5, 5/7*V5	6/8*V5, 4/6*V5	4/6*V5, 3/5*V5	6/8*V5, 4/6*V5	6/8*V5, 4/6*V5																												
V4	8/9*V5, 6/7*V5	7/8*V5, 5/6*V5	5/6*V5, 4/5*V5	7/8*V5, 5/6*V5	7/8*V5, 5/6*V5																												

LCD Power Supply Pins

Pin Name	I/O	Function	No. of Pins
CAP1+	O	DC/DC voltage converter. Connect a capacitor between this terminal and the CAP1- terminal.	4
CAP1-	O	DC/DC voltage converter. Connect a capacitor between this terminal and the CAP1+ terminal.	2
CAP2+	O	DC/DC voltage converter. Connect a capacitor between this terminal and the CAP2- terminal.	2
CAP2-	O	DC/DC voltage converter. Connect a capacitor between this terminal and the CAP2+ terminal.	2
CAP3-	O	DC/DC voltage converter. Connect a capacitor between this terminal and the CAP1+ terminal.	2
CAP4-	O	DC/DC voltage converter. Connect a capacitor between this terminal and the CAP2+ terminal.	2
CAP5-	O	DC/DC voltage converter. Connect a capacitor between this terminal and the CAP1+ terminal.	2
VOUT	O	DC/DC voltage converter. Connect a capacitor between this terminal and VSS.	2
VR	I	Output voltage regulator terminal. Provides the voltage between VDD and V5 through a resistive voltage divider. IRS = "L" : the V5 voltage regulator internal resistors are not used . IRS = "H" : the V5 voltage regulator internal resistors are used .	2

ST7565V

System Bus Connection Pins

Pin Name	I/O	Function	No. of Pins															
D5 to D0 D6 (SCL) D7 (SI)	I/O	This is an 8-bit bi-directional data bus that connects to an 8-bit or 16-bit standard MPU data bus. When the serial interface is selected (P/S = "L") : D7 : serial data input (SI) ; D6 : the serial clock input (SCL). D0 to D5 are set to high impedance. When the chip select is not active, D0 to D7 are set to high impedance.	8															
A0	I	This is connect to the least significant bit of the normal MPU address bus, and it determines whether the data bits are data or a command. A0 = "H": Indicates that D0 to D7 are display data. A0 = "L": Indicates that D0 to D7 are control data.	1															
/RES	I	When /RES is set to "L," the settings are initialized. The reset operation is performed by the /RES signal level.	1															
/CS1 CS2	I	This is the chip select signal. When /CS1 = "L" and CS2 = "H," then the chip select becomes active, and data/command I/O is enabled.	2															
/RD (E)	I	<ul style="list-style-type: none"> When connected to an 8080 MPU, this is active LOW. (E) This pin is connected to the /RD signal of the 8080 MPU, and the ST7565V series data bus is in an output status when this signal is "L". <ul style="list-style-type: none"> When connected to a 6800 Series MPU, this is active HIGH. This is the 6800 Series MPU enable clock input terminal.	1															
/WR (R/W)	I	<ul style="list-style-type: none"> When connected to an 8080 MPU, this is active LOW. (R/W) This terminal connects to the 8080 MPU /WR signal. The signals on the data bus are latched at the rising edge of the /WR signal. <ul style="list-style-type: none"> When connected to a 6800 Series MPU: This is the read/write control signal input terminal. When R/W = "H": Read. When R/W = "L": Write. 	1															
C86	I	This is the MPU interface switch terminal. C86 = "H": 6800 Series MPU interface. C86 = "L": 8080 MPU interface.	1															
P/S	I	This is the parallel data input/serial data input switch terminal. P/S = "H": Parallel data input. P/S = "L": Serial data input. The following applies depending on the P/S status: <table border="1" style="margin: 10px auto;"> <thead> <tr> <th>P/S</th> <th>Data/Command</th> <th>Data</th> <th>Read/Write</th> <th>Serial Clock</th> </tr> </thead> <tbody> <tr> <td>"H"</td> <td>A0</td> <td>D0 to D7</td> <td>/RD, /WR</td> <td>X</td> </tr> <tr> <td>"L"</td> <td>A0</td> <td>SI (D7)</td> <td>Write only</td> <td>SCL (D6)</td> </tr> </tbody> </table> When P/S = "L", D0 to D5 fixed "H". /RD (E) and /WR (R/W) are fixed to either "H" or "L". With serial data input, It is impossible read data from RAM .	P/S	Data/Command	Data	Read/Write	Serial Clock	"H"	A0	D0 to D7	/RD, /WR	X	"L"	A0	SI (D7)	Write only	SCL (D6)	1
P/S	Data/Command	Data	Read/Write	Serial Clock														
"H"	A0	D0 to D7	/RD, /WR	X														
"L"	A0	SI (D7)	Write only	SCL (D6)														

ST7565V

Pin Name	I/O	Function	No. of Pins																																								
CLS	I	Terminal to select whether or enable or disable the display clock internal oscillator circuit. CLS = "H" : used Internal oscillator circuit . CLS = "L" : used external clock input .(internal oscillator is disable) When CLS = "L", input the display clock through the CL terminal.	1																																								
M/S	I	This terminal selects the master/slave operation for the ST7565V Series chips. Master operation outputs the timing signals that are required for the LCD display, while slave operation input the timing signals required for the liquid crystal display, Synchronizing the liquid crystal display system. M/S = "H" Master operation M/S = "L" Slave operation <table border="1"> <thead> <tr> <th>M/S</th> <th>CLS</th> <th>Oscillator Circuit</th> <th>Power Supply Circuit</th> <th>CL</th> <th>FR</th> <th>FRS</th> <th>DOF</th> </tr> </thead> <tbody> <tr> <td>"H"</td> <td>"H"</td> <td>Enabled</td> <td>Enabled</td> <td>Output</td> <td>Output</td> <td>Output</td> <td>Output</td> </tr> <tr> <td>"H"</td> <td>"L"</td> <td>Disabled</td> <td>Enabled</td> <td>Input</td> <td>Output</td> <td>Output</td> <td>Output</td> </tr> <tr> <td>"L"</td> <td>"H"</td> <td>Disabled</td> <td>Disabled</td> <td>Input</td> <td>Input</td> <td>Output</td> <td>Input</td> </tr> <tr> <td>"L"</td> <td>"L"</td> <td>Disabled</td> <td>Disabled</td> <td>Input</td> <td>Input</td> <td>Output</td> <td>Input</td> </tr> </tbody> </table>	M/S	CLS	Oscillator Circuit	Power Supply Circuit	CL	FR	FRS	DOF	"H"	"H"	Enabled	Enabled	Output	Output	Output	Output	"H"	"L"	Disabled	Enabled	Input	Output	Output	Output	"L"	"H"	Disabled	Disabled	Input	Input	Output	Input	"L"	"L"	Disabled	Disabled	Input	Input	Output	Input	1
M/S	CLS	Oscillator Circuit	Power Supply Circuit	CL	FR	FRS	DOF																																				
"H"	"H"	Enabled	Enabled	Output	Output	Output	Output																																				
"H"	"L"	Disabled	Enabled	Input	Output	Output	Output																																				
"L"	"H"	Disabled	Disabled	Input	Input	Output	Input																																				
"L"	"L"	Disabled	Disabled	Input	Input	Output	Input																																				
CL	I/O	This is the display clock input terminal The following is true depending on the M/S and CLS status. <table border="1"> <thead> <tr> <th>M/S</th> <th>CLS</th> <th>CL</th> </tr> </thead> <tbody> <tr> <td>"H"</td> <td>"H"</td> <td>Output</td> </tr> <tr> <td>"H"</td> <td>"L"</td> <td>Input</td> </tr> <tr> <td>"L"</td> <td>"H"</td> <td>Input</td> </tr> <tr> <td>"L"</td> <td>"L"</td> <td>Input</td> </tr> </tbody> </table>	M/S	CLS	CL	"H"	"H"	Output	"H"	"L"	Input	"L"	"H"	Input	"L"	"L"	Input	1																									
M/S	CLS	CL																																									
"H"	"H"	Output																																									
"H"	"L"	Input																																									
"L"	"H"	Input																																									
"L"	"L"	Input																																									
FR	O	This is the liquid crystal alternating current signal terminal.	1																																								
/DOF	O	This is the LCD blanking control terminal.	1																																								
FRS	O	This is the output terminal for the static drive. This terminal is only enabled when the static indicator display is ON and is used in conjunction with the FR terminal.	1																																								
IRS	I	This terminal selects the resistors for the V5 voltage level adjustment. IRS = "H": Use the internal resistors IRS = "L": Do not use the internal resistors. The V5 voltage level is regulated by an external resistive voltage divider attached to the VR terminal	1																																								
/HPM	I	This is the power control terminal for the power supply circuit for liquid crystal drive. /HPM = "H": Normal mode /HPM = "L": High power mode	1																																								
SEL3 SEL2 SEL1	I	These pins are DUTY selection. <table border="1"> <thead> <tr> <th>SEL 3 , 2 , 1</th> <th>DUTY</th> <th>BIAS</th> </tr> </thead> <tbody> <tr> <td>0 , 0 , 0</td> <td>1/65</td> <td>1/9 or 1/7</td> </tr> <tr> <td>0 , 0 , 1</td> <td>1/49</td> <td>1/8 or 1/6</td> </tr> <tr> <td>0 , 1 , 0</td> <td>1/33</td> <td>1/6 or 1/5</td> </tr> <tr> <td>0 , 1 , 1</td> <td>1/55</td> <td>1/8 or 1/6</td> </tr> <tr> <td>1 , 0 , 0</td> <td>1/53</td> <td>1/8 or 1/6</td> </tr> <tr> <td>1 , X , X</td> <td>-----</td> <td>-----</td> </tr> </tbody> </table>	SEL 3 , 2 , 1	DUTY	BIAS	0 , 0 , 0	1/65	1/9 or 1/7	0 , 0 , 1	1/49	1/8 or 1/6	0 , 1 , 0	1/33	1/6 or 1/5	0 , 1 , 1	1/55	1/8 or 1/6	1 , 0 , 0	1/53	1/8 or 1/6	1 , X , X	-----	-----	3																			
SEL 3 , 2 , 1	DUTY	BIAS																																									
0 , 0 , 0	1/65	1/9 or 1/7																																									
0 , 0 , 1	1/49	1/8 or 1/6																																									
0 , 1 , 0	1/33	1/6 or 1/5																																									
0 , 1 , 1	1/55	1/8 or 1/6																																									
1 , 0 , 0	1/53	1/8 or 1/6																																									
1 , X , X	-----	-----																																									
TEST0 ~ 5	I	These are terminals for IC testing. They are set to open.	6																																								

ST7565V

LCD Driver Pins

Pin Name	I/O	Function	No. of Pins																										
SEG0 to SEG131	O	<p>These are the LCD segment drive outputs. Through a combination of the contents of the display RAM and with the FR signal, a single level is selected from VDD, V2, V3, and V5.</p> <table border="1"> <thead> <tr> <th rowspan="2">RAM DATA</th> <th rowspan="2">FR</th> <th colspan="2">Output Voltage</th> </tr> <tr> <th>Normal Display</th> <th>Reverse Display</th> </tr> </thead> <tbody> <tr> <td>H</td> <td>H</td> <td>VDD</td> <td>V2</td> </tr> <tr> <td>H</td> <td>L</td> <td>V5</td> <td>V3</td> </tr> <tr> <td>L</td> <td>H</td> <td>V2</td> <td>VDD</td> </tr> <tr> <td>L</td> <td>L</td> <td>V3</td> <td>V5</td> </tr> <tr> <td>Power save</td> <td></td> <td colspan="2">VDD</td> </tr> </tbody> </table>	RAM DATA	FR	Output Voltage		Normal Display	Reverse Display	H	H	VDD	V2	H	L	V5	V3	L	H	V2	VDD	L	L	V3	V5	Power save		VDD		132
RAM DATA	FR	Output Voltage																											
		Normal Display	Reverse Display																										
H	H	VDD	V2																										
H	L	V5	V3																										
L	H	V2	VDD																										
L	L	V3	V5																										
Power save		VDD																											
COM0 to COMn	O	<p>Through a combination of the contents of the scan data and with the FR signal, a single level is selected from VDD, V1, V4, and V5.</p> <table border="1"> <thead> <tr> <th>Scan Data</th> <th>FR</th> <th>Output Voltage</th> </tr> </thead> <tbody> <tr> <td>H</td> <td>H</td> <td>V5</td> </tr> <tr> <td>H</td> <td>L</td> <td>VDD</td> </tr> <tr> <td>L</td> <td>H</td> <td>V1</td> </tr> <tr> <td>L</td> <td>L</td> <td>V4</td> </tr> <tr> <td>Power save</td> <td></td> <td>VDD</td> </tr> </tbody> </table>	Scan Data	FR	Output Voltage	H	H	V5	H	L	VDD	L	H	V1	L	L	V4	Power save		VDD	67								
Scan Data	FR	Output Voltage																											
H	H	V5																											
H	L	VDD																											
L	H	V1																											
L	L	V4																											
Power save		VDD																											
COMS	O	<p>These are the COM output terminals for the indicator. Both terminals output the same signal. Leave these open if they are not used.</p>	2																										

DESCRIPTION OF FUNCTIONS

The MPU Interface

Selecting the Interface Type

With the ST7565V chips, data transfers are done through an 8-bit parallel data bus (D7 to D0) or through a serial data input (SI). Through selecting the P/S terminal polarity to the

“H” or “L” it is possible to select either parallel data input or serial data input as shown in Table 1.

Table 1

P/S	/CS1	CS2	A0	/RD	/WR	C86	D7	D6	D5~D0
H: Parallel Input	/CS1	CS2	A0	/RD	/WR	C86	D7	D6	D5~D0
L: Serial Input	/CS1	CS2	A0	—	—	—	SI	SCL	(HZ)

“—” indicates fixed to either “H” or to “L”

The Parallel Interface

When the parallel interface has been selected (P/S = “H”), then it is possible to connect directly to either an

8080-system MPU or a 6800 Series MPU (shown in Table 2) by selecting the C86 terminal to either “H” or to “L”.

Table 2

C86 (P/S=H)	/CS1	CS2	A0	E(/RD)	R/W(/WR)	D7~D0
H: 6800 Series	/CS1	CS2	A0	E	R/W	D7~D0
L: 8080 Series	/CS1	CS2	A0	/RD	/WR	D7~D0

Moreover, data bus signals are recognized by a combination of A0, /RD (E), /WR (R/W) signals, as shown in Table 3.

Table 3

Shared	6800 Series	8080 Series		Function
	R/W	/RD	/WR	
A0				
1	1	0	1	Reads the display data
1	0	1	0	Writes the display data
0	1	0	1	Status read
0	0	1	0	Write control data (command)

The Serial Interface

When the serial interface has been selected (P/S = "L") then when the chip is in active state (/CS1 = "L" and CS2 = "H") the serial data input (SI) and the serial clock input (SCL) can be received. The serial data is read from the serial data input pin in the rising edge of the serial clocks D7, D6 through D0, in this order. This data is converted to 8 bits parallel data in the rising edge of the eighth serial clock for the processing.

The A0 input is used to determine whether or the serial data input is display data or command data; when A0 = "H", the data is display data, and when A0 = "L" then the data is command data. The A0 input is read and used for detection every 8th rising edge of the serial clock after the chip becomes active. Figure 1 is a serial interface signal chart.

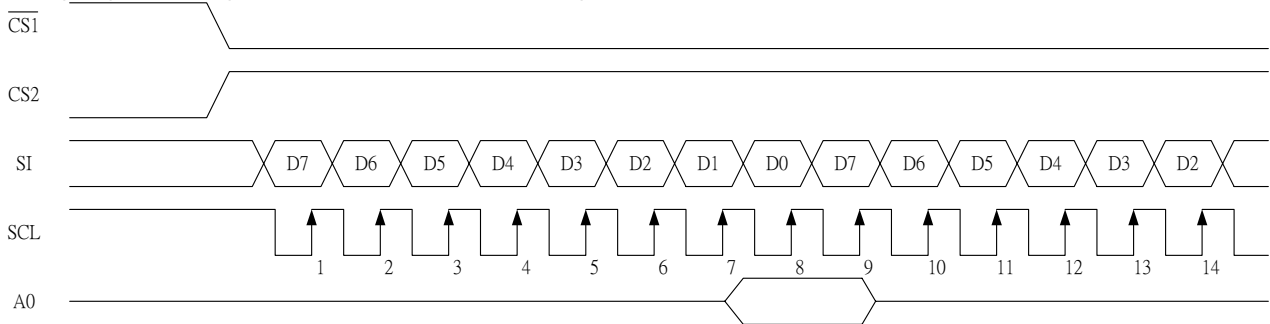


Figure 1

- * When the chip is not active, the shift registers and the counter are reset to their initial states.
- * Reading is not possible while in serial interface mode.
- * Caution is required on the SCL signal when it comes to line-end reflections and external noise. We recommend that operation be rechecked on the actual equipment.

The Chip Select

The ST7565V have two chip select terminals: /CS1 and CS2. The MPU interface or the serial interface is enabled only when /CS1 = "L" and CS2 = "H".

When the chip select is inactive, D0 to D7 enter a high impedance state, and the A0, /RD, and /WR inputs are inactive. When the serial interface is selected, the shift register and the counter are reset.

The Accessing the Display Data RAM and the Internal Registers

Data transfer at a higher speed is ensured since the MPU is required to satisfy the cycle time (t_{CYC}) requirement alone in accessing the ST7565V. Wait time may not be considered. And, in the ST7565V, each time data is sent from the MPU, a type of pipeline process between LSIs is performed through the bus holder attached to the internal data bus. Internal data bus.

For example, when the MPU writes data to the display data RAM, once the data is stored in the bus holder, then it is written to the display data RAM before the next data write cycle. Moreover, when the MPU reads the display data RAM,

the first data read cycle (dummy) stores the read data in the bus holder, and then the data is read from the bus holder to the system bus at the next data read cycle.

There is a certain restriction in the read sequence of the display data RAM. Please be advised that data of the specified address is not generated by the read instruction issued immediately after the address setup. This data is generated in data read of the second time. Thus, a dummy read is required whenever the address setup or write cycle operation is conducted.

This relationship is shown in Figure 2.

ST7565V

The Busy Flag

When the busy flag is "1" it indicates that the ST7565V is running internal processes, and at this time no command aside from a status read will be received. The busy flag is outputted to D7 pin with the read instruction. If the cycle time

(t_{CYC}) is maintained, it is not necessary to check for this flag before each command. This makes vast improvements in MPU processing capabilities possible.

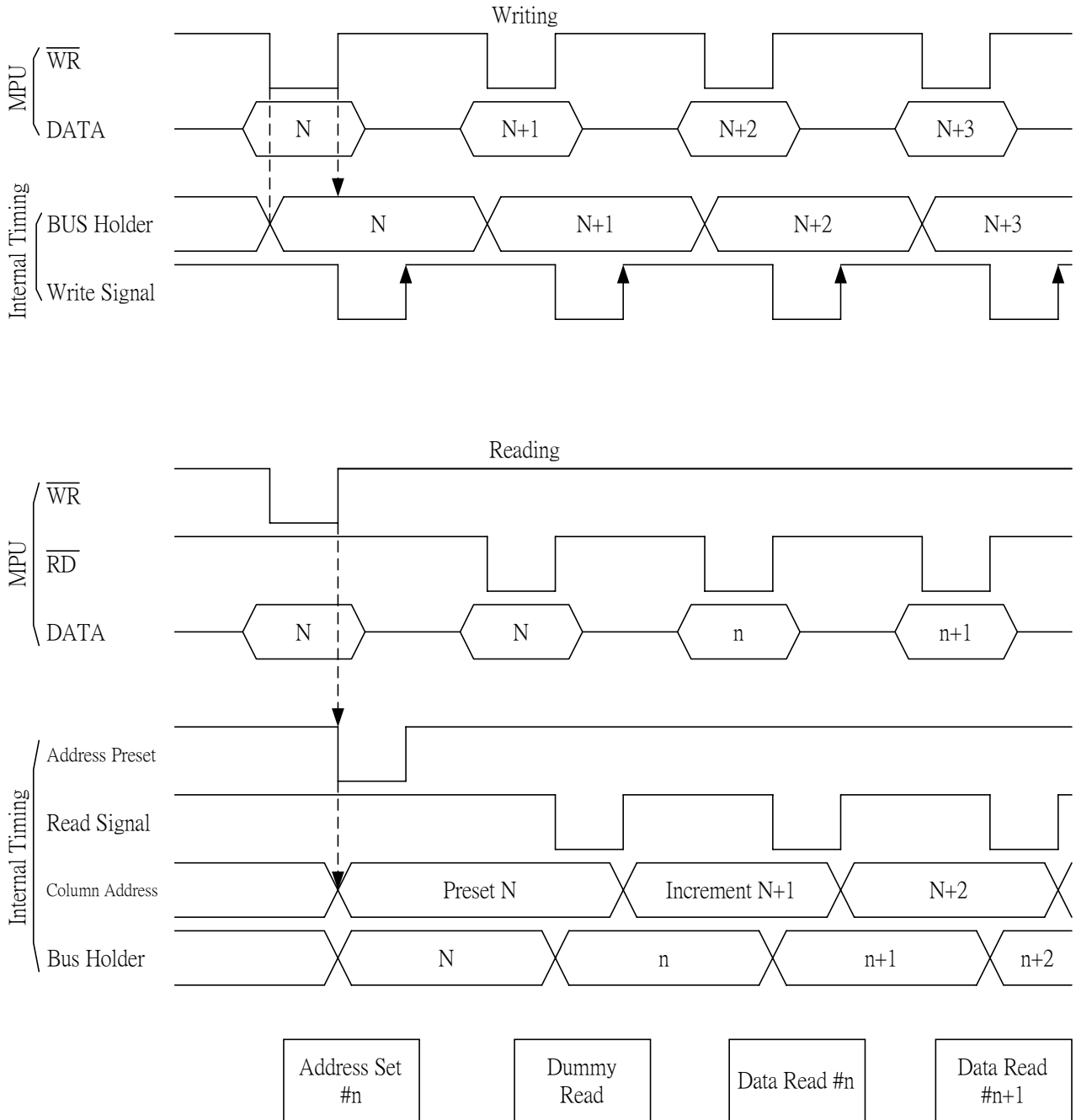


Figure 2

Display Data RAM

The display data RAM stores the dot data for the LCD. It has a 65 (8 page x 8 bit +1) x 132 bit structure. As is shown in Figure 3, the D7 to D0 display data from the MPU corresponds to the LCD display common direction; there are few constraints at the time of display data transfer when multiple ST7565V are used, thus and display structures can be created easily and with a high degree of

freedom. Moreover, reading from and writing to the display RAM from the MPU side is performed through the I/O buffer, which is an independent operation from signal reading for the liquid crystal driver. Consequently, even if the display data RAM is accessed asynchronously during liquid crystal display, it will not cause adverse effects on the display (such as flickering).

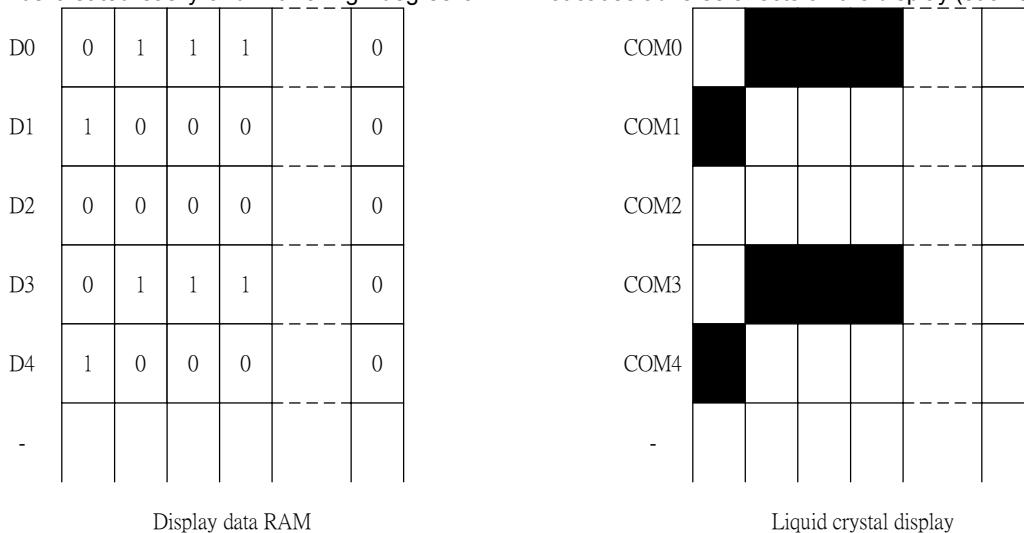


Figure 3

The Page Address Circuit

Page address of the display data RAM is specified through the Page Address Set Command. The page address must be specified again when changing pages to perform access.

Page address 8 (D3, D2, D1, D0 = 1, 0, 0, 0) is a special RAM for icons, and only display data D0 is used. (see Figure 4)

The Column Addresses

The display data RAM column address is specified by the Column Address Set command. The specified column address is incremented (+1) with each display data read/write command. This allows the MPU display data to be accessed continuously. Moreover, the incrementing of column addresses stops with 83H. Because the column address is independent of the page address, when moving, for example, from page 0 column 83H to page 1 column 00H,

it is necessary to respective both the page address and the column address. Furthermore, as is shown in Table 4, the ADC command (segment driver direction select command) can be used to reverse the relationship between the display data RAM column address and the segment output. Because of this, the constraints on the IC layout when the LCD module is assembled can be minimized. As is shown in Figure 4,

Table 4

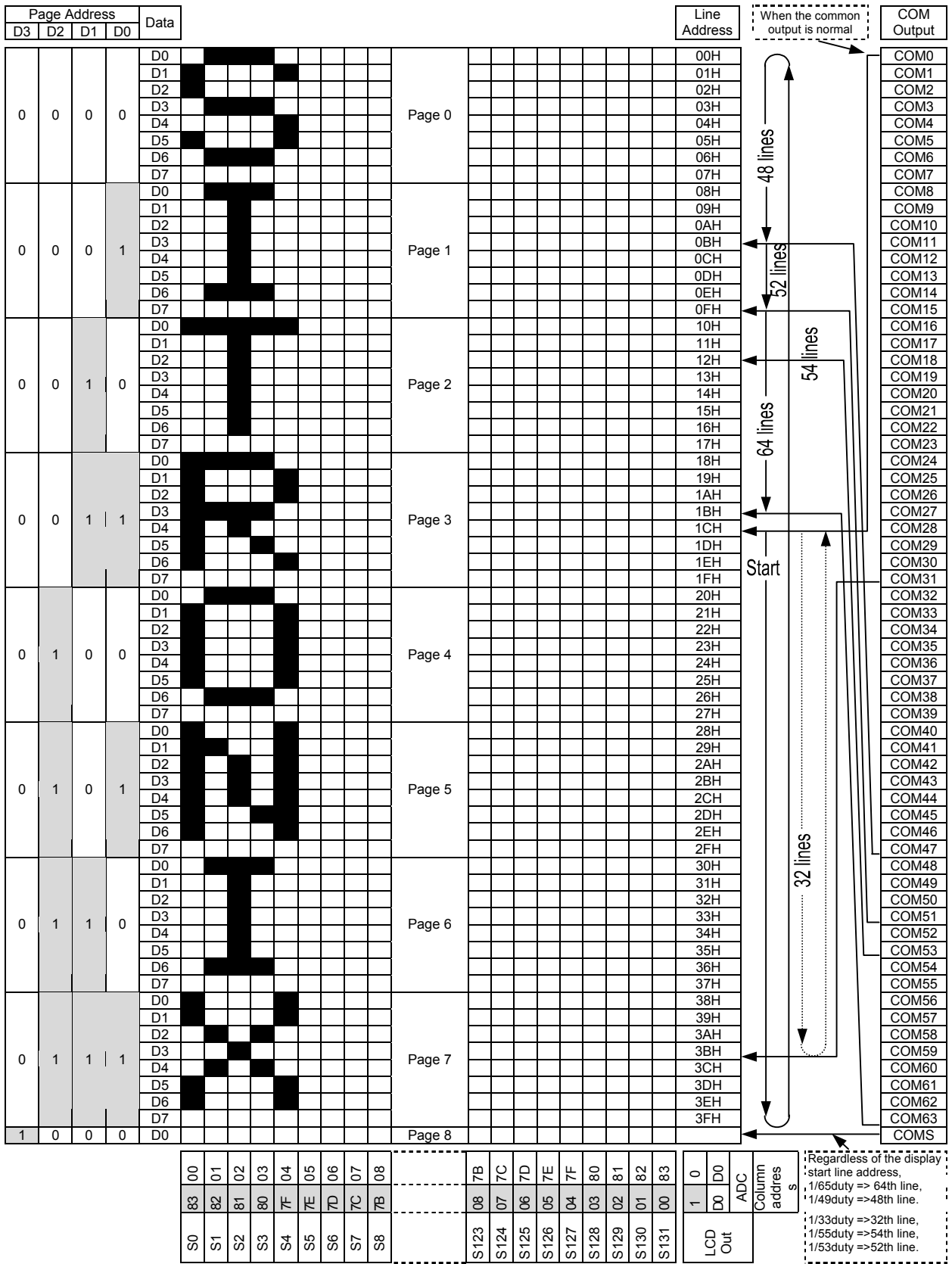
SEG Output ADC	SEG0	SEG 131
(D0) "0"	0 (H) → Column Address →	83 (H)
(D0) "1"	83 (H) ← Column Address ←	0 (H)

The Line Address Circuit

The line address circuit, as shown in Table 4, specifies the line address relating to the COM output when the contents of the display data RAM are displayed. Using the display start line address set command, what is normally the top line of the display can be specified (this is the COM0 output when the common output mode is normal, and the COM63 output

for ST7565V, the detail is shown page.11 The display area is a 65 line area for the ST7565V. If the line addresses are changed dynamically using the display start line address set command, screen scrolling, page swapping, etc. can be performed.

ST7565V



The Display Data Latch Circuit

The display data latch circuit is a latch that temporarily stores the display data that is output to the liquid crystal driver circuit from the display data RAM. Because the display normal/reverse status, display ON/OFF

status, and display all points ON/OFF commands control only the data within the latch, they do not change the data within the display data RAM itself.

The Oscillator Circuit

This is a CR-type oscillator that produces the display clock. The oscillator circuit is only enabled when M/S= "H" and CLS = "H".

When CLS = "L" the oscillation stops, and the external clock is input through the CL terminal.

Display Timing Generator Circuit

The display timing generator circuit generates the timing signal to the line address circuit and the display data latch circuit using the display clock. The display data is latched into the display data latch circuit synchronized with the display clock, and is output to the data driver output terminal. Reading to the display data liquid crystal driver circuits is completely independent of accesses to the display data RAM by the MPU. Consequently, even if the display data RAM is

accessed asynchronously during liquid crystal display, there is absolutely no adverse effect (such as flickering) on the display.

Moreover, the display timing generator circuit generates the common timing and the liquid crystal alternating current signal (FR) from the display clock. It generates a drive waveform using a 2 frame alternating current drive method, as is shown in Figure 5, for the liquid crystal drive circuit.

Two-frame alternating current drive waveform

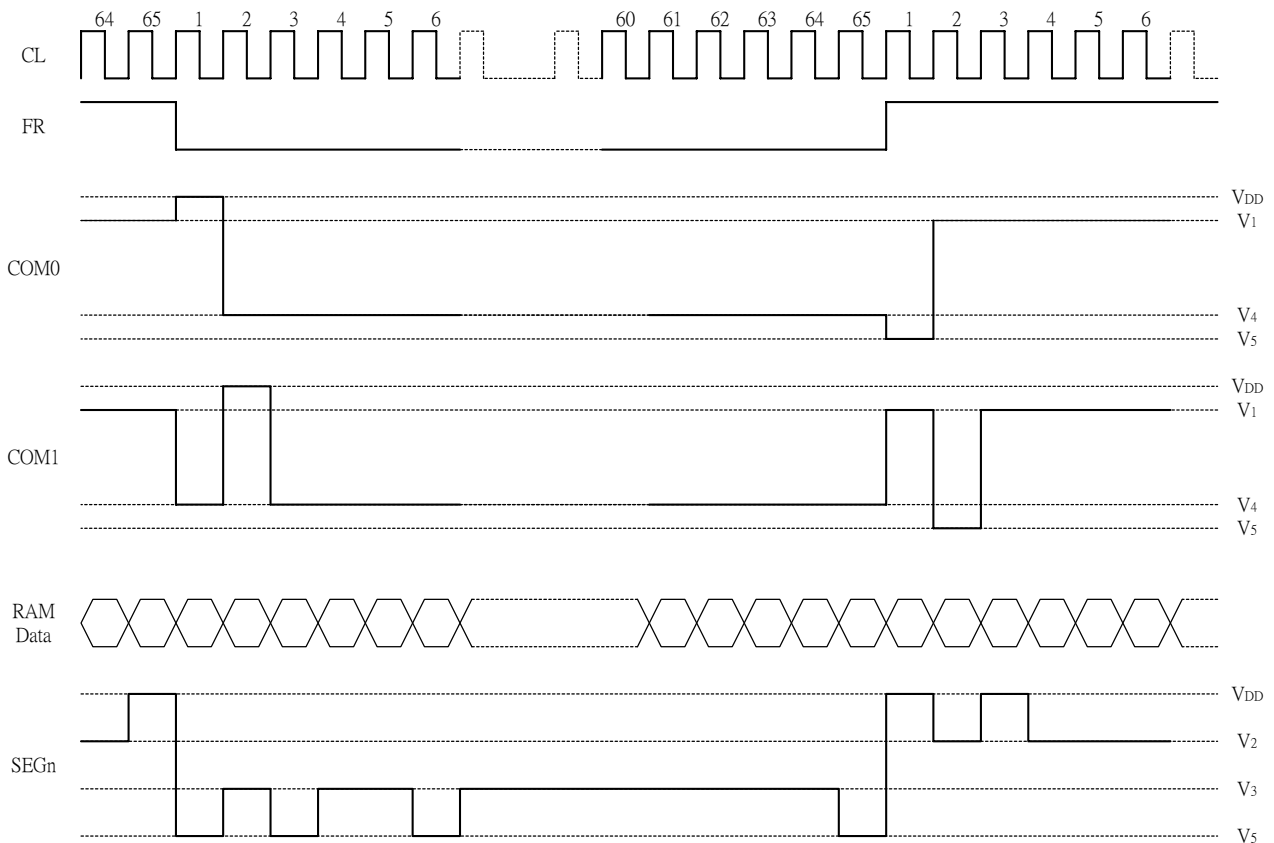


Figure 5

ST7565V

The Common Output Status Select Circuit

In the ST7565V chips, the COM output scan direction can be selected by the common output status select command. (See Table 6.) Consequently, the constraints in IC layout at the time of LCD module assembly can be minimized.

Table 6

Status	COM Scan Direction				
	1/65 DUTY	1/49 DUTY	1/33 DUTY	1/55 DUTY	1/53 DUTY
Normal	COM0 → COM63	COM0 → COM47	COM0 → COM31	COM0 → COM53	COM0 → COM51
Reverse	COM63 → COM0	COM47 → COM0	COM31 → COM0	COM53 → COM0	COM51 → COM0

Duty	Com dir	Common output pins							
		com[0:15]	com[16:23]	com[24:26]	com[27:36]	com[37:39]	com[40:47]	com[48:63]	coms
1/65	0	com[0:63]							coms
	1	com[63:0]							coms
1/49	0	com[0:23]	reserve			com[24:47]		coms	
	1	com[47:24]	reserve			com[23:0]		coms	
1/33	0	com[0:15]	reserve				com[16:31]		coms
	1	com[31:16]	reserve				com[15:0]		coms
1/55	0	com[0:26]		reserve	com[27:53]			coms	
	1	com[53:27]		reserve	com[26:0]			coms	
1/53	0	com[0:25]		reserve	com[26:51]			coms	
	1	com[51:26]		reserve	com[25:0]			coms	

The LCD Driver Circuits

These are a 187-channel that generates four voltage levels for driving the LCD. The combination of the display data, the COM scan signal, and the FR signal produces the liquid

crystal drive voltage output. Figure 6 shows examples of the SEG and COM output wave form.

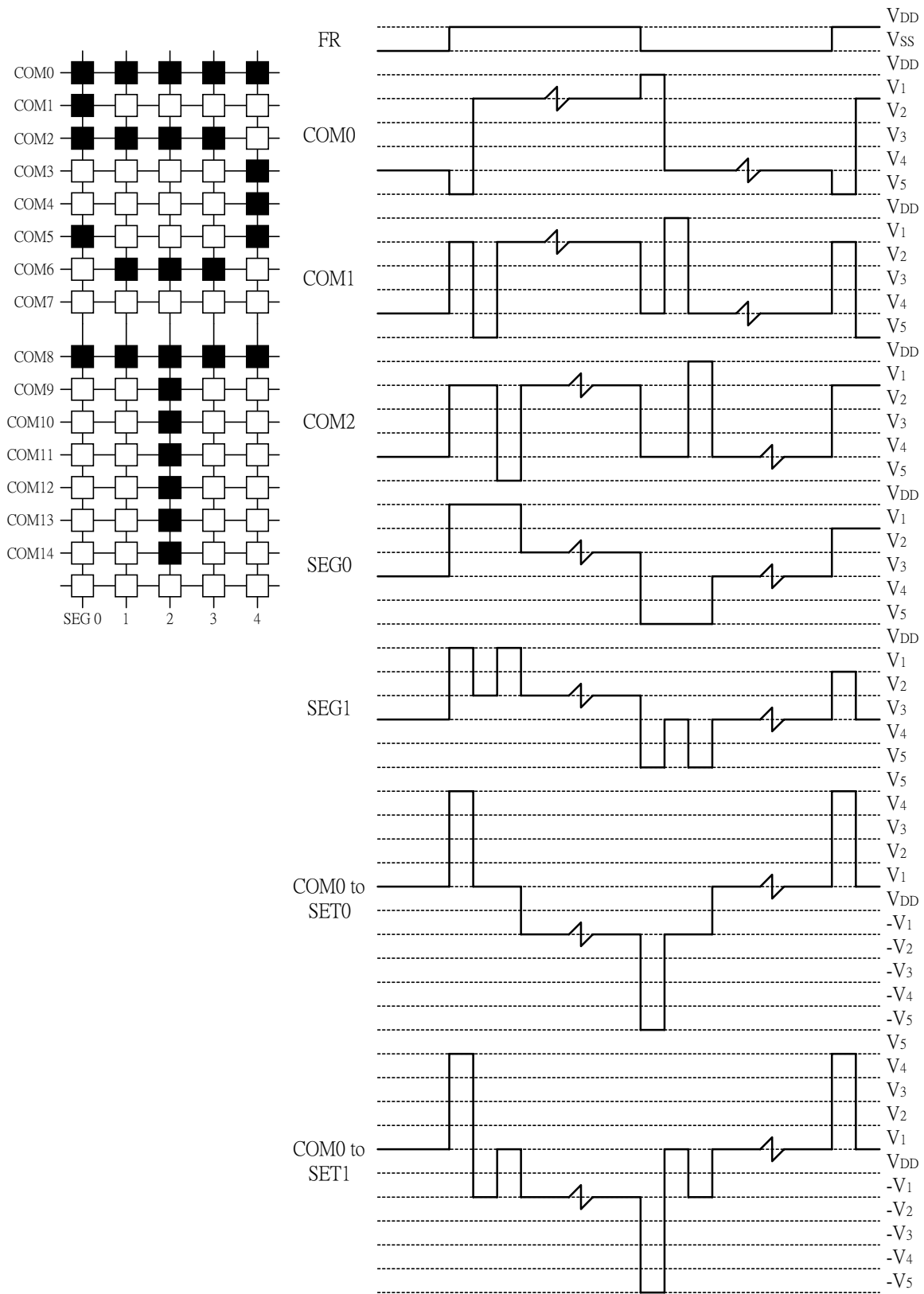


Figure 6

The Power Supply Circuits

The power supply circuits are low-power consumption power supply circuits that generate the voltage levels required for the LCD drivers. They are Booster circuits, voltage regulator circuits, and voltage follower circuits. They are only enabled in master operation. The power supply circuits can turn the Booster circuits, the voltage regulator circuits, and the

voltage follower circuits ON or OFF independently through the use of the Power Control Set command. Consequently, it is possible to make an external power supply and the internal power supply function somewhat in parallel. Table 7 shows the Power Control Set Command 3-bit data control function, and Table 8 shows reference combinations.

Table 7

bit	function	Status	
		"1"	"0"
D2	Booster circuit control bit	ON	OFF
D1	Voltage regulator circuit control bit (V/R circuit)	ON	OFF
D0	Voltage follower circuit control bit (V/F circuit)	ON	OFF

The Control Details of Each Bit of the Power Control Set Command

Table 8

Use Settings	D2	D1	D0	Voltage booster	Voltage regulator	Voltage follower	External voltage input	Step-up voltage
Only the internal power supply is used	1	1	1	ON	ON	ON	V _{SS2}	Used
Only the voltage regulator circuit and the voltage follower circuit are used	0	1	1	OFF	ON	ON	V _{OUT} , V _{SS2}	Open
Only the V/F circuit is used	0	0	1	OFF	OFF	ON	V ₅ , V _{SS2}	Open
Only the external power supply is used	0	0	0	OFF	OFF	OFF	V ₁ to V ₅	Open

Reference Combinations

* The "step-up system terminals" refer CAP1+, CAP1-, CAP2+, CAP2-, and CAP3-.

* While other combinations, not shown above, are also possible, these combinations are not recommended because they have no practical use.

The Step-up Voltage Circuits

Using the step-up voltage circuits equipped within the ST7565V chips it is possible to produce a 2X,3X,4X,5X or 6X step-up of the V_{DD} - V_{SS2} voltage levels.

6X step-up: Connect capacitor C1 between CAP1+ and CAP1-, between CAP2+ and CAP2-, between CAP1+ and CAP3-, between CAP2+ and CAP4-, between CAP1+ and CAP5-, and between V_{SS2} and V_{OUT}, to produce a voltage level in the negative direction at the V_{OUT} terminal that is 6 times the voltage level between V_{DD} and V_{SS2}.

5X step-up: Connect capacitor C1 between CAP1+ and CAP1-, between CAP2+ and CAP2-, between CAP1+ and CAP3-, between CAP2+ and CAP4-, and between V_{SS2} and V_{OUT}, to produce a voltage level in the negative direction at the V_{OUT} terminal that is 5 times the voltage level between V_{DD} and V_{SS2}.

4X step-up: Connect capacitor C1 between CAP1+ and CAP1-, between CAP2+ and CAP2-, between CAP1+ and CAP3-, and between V_{SS2} and V_{OUT}, to produce a voltage level in the negative direction at the V_{OUT} terminal that is 4 times the voltage level between V_{DD} and V_{SS2}.

3X step-up: Connect capacitor C1 between CAP1+ and CAP1-, between CAP2+ and CAP2- and between V_{SS2} and V_{OUT}, and short between CAP3- and V_{OUT} to produce voltages level in the negative direction at the V_{OUT} terminal that is 3 times the voltage difference between V_{DD} and V_{SS2}.

2X step-up: Connect capacitor C1 between CAP1+ and CAP1-, and between V_{SS2} and V_{OUT}, leave CAP2+ open, and short between CAP2-, CAP3- and V_{OUT} to produce a voltage in the negative direction at the V_{OUT} terminal that is twice the voltage between V_{DD} and V_{SS2}.

The step-up voltage relationships are shown in Figure 7.

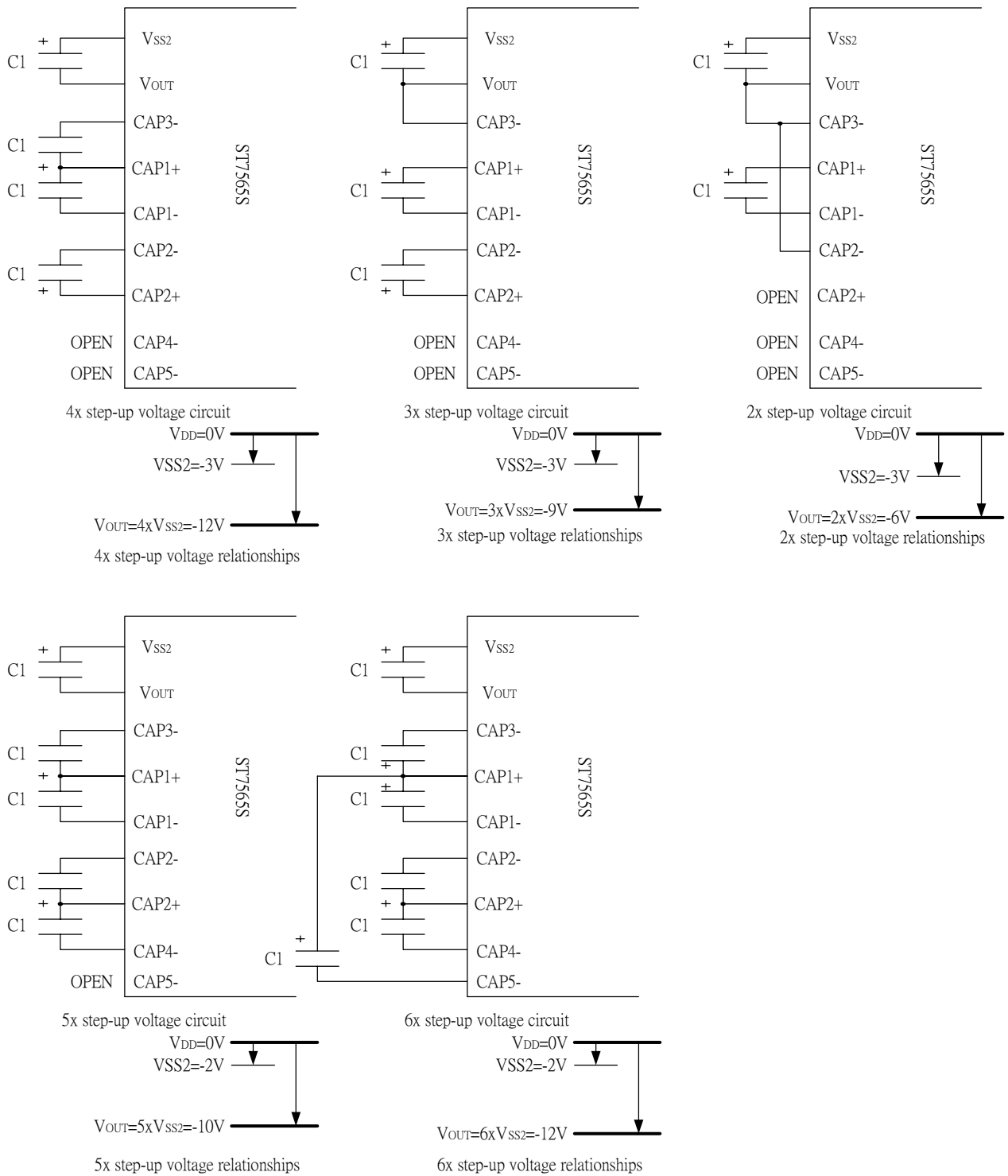


Figure 7

* The V_{SS2} voltage range must be set so that the V_{OUT} terminal voltage does not exceed the absolute maximum rated value.

ST7565V

The Voltage Regulator Circuit

The step-up voltage generated at V_{OUT} outputs the LCD driver voltage V_5 through the voltage regulator circuit. Because the ST7565V chips have an internal high-accuracy fixed voltage power supply with a 64-level electronic volume

function and internal resistors for the V_5 voltage regulator, systems can be constructed without having to include high-accuracy voltage regulator circuit components. (V_{REG} thermal gradients approximate $-0.05\%/^{\circ}\text{C}$)

(A) When the V_5 Voltage Regulator Internal Resistors Are Used

Through the use of the V_5 voltage regulator internal resistors and the electronic volume function the liquid crystal power supply voltage V_5 can be controlled by commands alone (without adding any external resistors), making it possible to

adjust the liquid crystal display brightness. The V_5 voltage can be calculated using equation A-1 over the range where $|V_5| < |V_{OUT}|$.

$$V_5 = \left(1 + \frac{R_b}{R_a}\right) \cdot V_{EV}$$

$$= \left(1 + \frac{R_b}{R_a}\right) \cdot \left(1 - \frac{\alpha}{162}\right) \cdot V_{REG}$$

$$\left[\because V_{EV} = \left(1 - \frac{\alpha}{162}\right) \cdot V_{REG} \right]$$

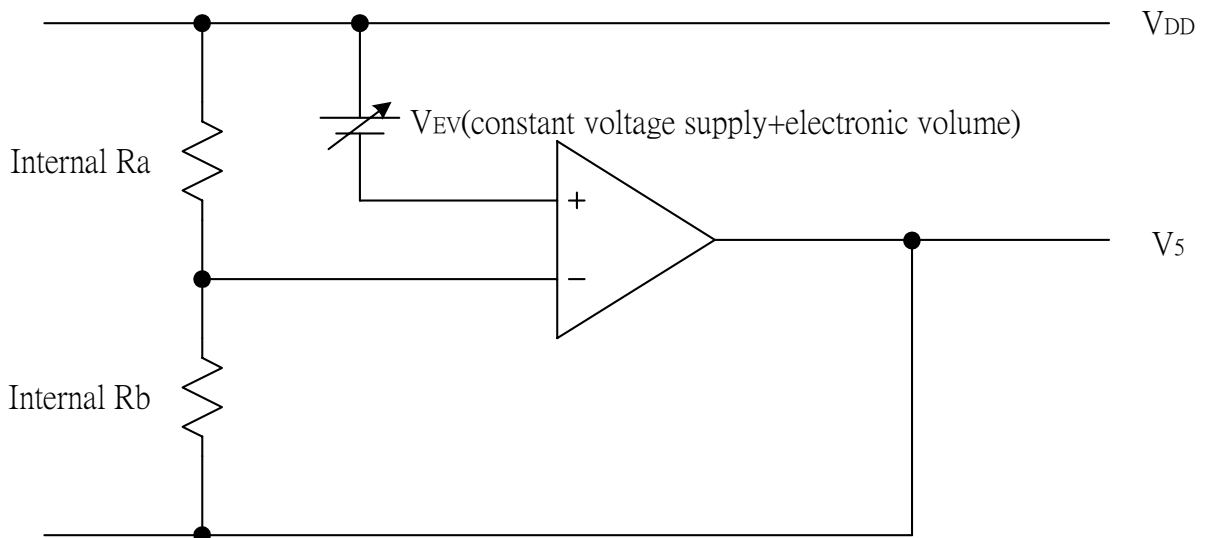


Figure 8

ST7565V

VREG is the IC-internal fixed voltage supply, and its voltage at Ta = 25°C is as shown in Table 9.

Table 9

Part no.	Equipment Type	Thermal Gradient	VREG
ST7565V	Internal Power Supply	-0.05 %/°C	-2.1V

α is set to 1 level of 64 possible levels by the electronic volume function depending on the data set in the 6-bit electronic volume registers. Table 10 shows the value for α depending on the electronic volume register settings.

Rb/Ra is the V5 voltage regulator internal resistor ratio, and can be set to 8 different levels through the V5 voltage regulator internal resistor ratio set command. The (1 + Rb/Ra) ratio assumes the values shown in Table 11 depending on the 3-bit data settings in the V5 voltage regulator internal resistor ratio register.

Table 10

D5	D4	D3	D2	D1	D0	α
0	0	0	0	0	0	63
0	0	0	0	0	1	62
0	0	0	0	1	0	61
			⋮			⋮
			⋮			⋮
1	1	1	1	0	1	2
1	1	1	1	1	0	1
1	1	1	1	1	1	0

V5 voltage regulator internal resistance ratio register value and (1 + Rb/Ra) ratio (Reference value)

Table 11

Register			ST7565V
D2	D1	D0	(1) -0.05 %/°C
0	0	0	3.0
0	0	1	3.5
0	1	0	4.0
0	1	1	4.5
1	0	0	5.0
1	0	1	5.5
1	1	0	6.0
1	1	1	6.5

Figures 9, 10 show V5 voltage measured by values of the internal resistance ratio resistor for V5 voltage adjustment and electric volume resistor for each temperature grade model.

ST7565V

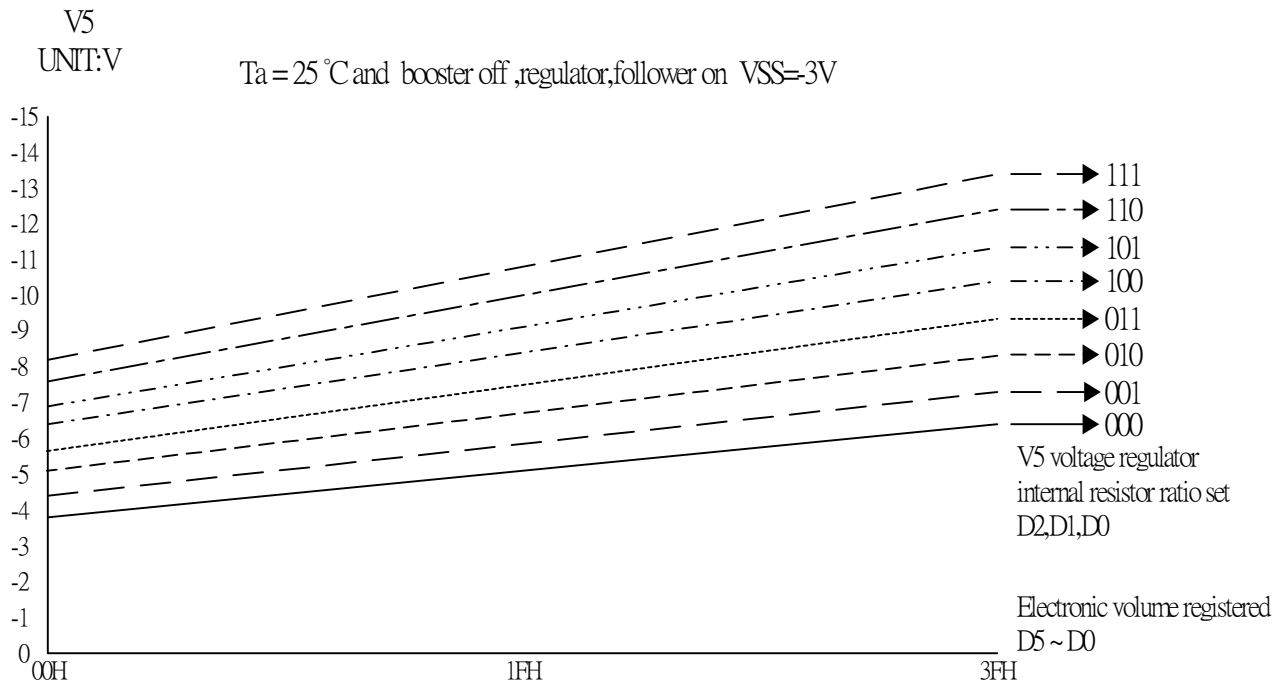


Figure 9 : (1) For ST7565V the Thermal Gradient = -0.05%/°C

The V5 voltage as a function of the V5 voltage regulator internal resistor ratio register and the electronic volume register.

Setup example: When selecting Ta = 25°C and V5 = -7V for an ST7565V on which Temperature gradient = -0.05%/°C. Using Figure 9 and the equation A-1, the following setup is enabled.

At this time, the variable range and the notch width of the V5 voltage is, as shown Table 13, as dependent on the electronic volume.

Table 12

Contents	Register					
	D5	D4	D3	D2	D1	D0
For V5 voltage regulator	—	—	—	0	1	0
Electronic Volume	1	0	0	1	0	1

Table 13

V5	Min	Typ	Max	Units
Variable Range	-8.4 (63 levels)	-7.0 (central value)	-5.1 (0 level)	[V]
Notch width		51		[mV]

(B) When an External Resistance is Used (The V5 Voltage Regulator Internal Resistors Are Not Used) (1)

The liquid crystal power supply voltage V5 can also be set without using the V5 voltage regulator internal resistors (IRS terminal = "L") by adding resistors Ra' and Rb' between VDD and VR, and between VR and V5, respectively. When this is done, the use of the electronic volume function makes it possible to adjust the brightness of the liquid crystal display

by controlling the liquid crystal power supply voltage V5 through commands.

In the range where $|V_5| < |V_{OUT}|$, the V5 voltage can be calculated using equation B-1 based on the external resistances Ra' and Rb'.

$$V_5 = \left(1 + \frac{R_{b'}}{R_{a'}}\right) \cdot V_{EV}$$

$$= \left(1 + \frac{R_{b'}}{R_{a'}}\right) \cdot \left(1 - \frac{\alpha}{162}\right) \cdot V_{REG}$$

$$\left[\because V_{EV} = \left(1 - \frac{\alpha}{162}\right) \cdot V_{REG}\right]$$

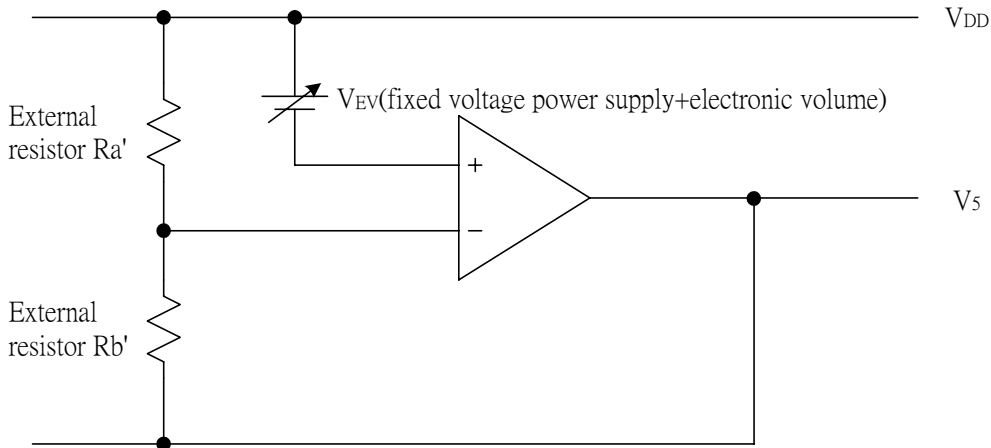


Figure 11

Setup example: When selecting $T_a = 25^\circ\text{C}$ and $V_5 = -7\text{ V}$ for ST7565V the temperature gradient = $-0.05\%/^\circ\text{C}$. When the central value of the electron volume register is (D5, D4, D3, D2, D1, D0) = (1, 0, 0, 0, 0, 0), then $\alpha = 31$ and $V_{REG} = -2.1\text{V}$ so, according to equation B-1,

$$\frac{R_{b'}}{R_{a'}} = 3.12$$

$$R_{a'} = 340\text{k}\Omega$$

$$R_{b'} = 1060\text{k}\Omega$$

$$V_5 = \left(1 + \frac{R_{b'}}{R_{a'}}\right) \cdot \left(1 - \frac{\alpha}{162}\right) \cdot V_{REG}$$

$$-7\text{V} = \left(1 + \frac{R_{b'}}{R_{a'}}\right) \cdot \left(1 - \frac{31}{162}\right) \cdot (-2.1)$$

At this time, the V5 voltage variable range and notch width, based on the electron volume function, is as given in Table 14.

Moreover, when the value of the current running through Ra' and Rb' is set to 5 μA ,

$$R_{a'} + R_{b'} = 1.4\text{M}\Omega \quad (\text{Equation B-3})$$

Consequently, by equations B-2 and B-3,

Table 14

V5	Min	Typ	Max	Units
Variable Range	-8.6 (63 levels)	-7.0 (central value)	-5.3 (0 level)	[V]
Notch width		52		[mV]

ST7565V

(C) When External Resistors are Used (The V5 Voltage Regulator Internal Resistors Are Not Used) (2)

When the external resistor described above are used, adding a variable resistor as well makes it possible to perform fine adjustments on Ra' and Rb', to set the liquid crystal drive voltage V5. In this case, the use of the electronic volume function makes it possible to control the liquid crystal power supply voltage V5 by commands to adjust the liquid

crystal display brightness.

In the range where $|V_5| < |V_{OUT}|$ the V5 voltage can be calculated by equation C-1 below based on the R1 and R2 (variable resistor) and R3 settings, where R2 can be subjected to fine adjustments (ΔR_2).

$$V_5 = \left(1 + \frac{R_3 + R_2 - \Delta R_2}{R_1 + \Delta R_2} \right) \cdot V_{EV}$$

$$= \left(1 + \frac{R_3 + R_2 - \Delta R_2}{R_1 + \Delta R_2} \right) \cdot \left(1 - \frac{\alpha}{162} \right) \cdot V_{REG}$$

$$\left[\because V_{EV} = \left(1 - \frac{\alpha}{162} \right) \cdot V_{REG} \right]$$

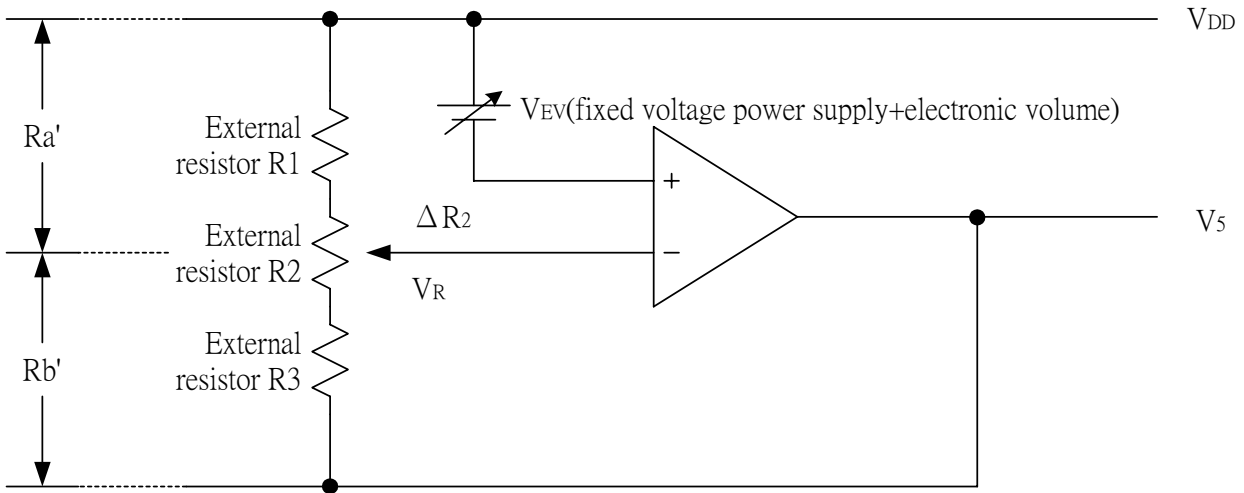


Figure 12

Setup example: When selecting $T_a = 25^\circ\text{C}$ and $V_5 = -5$ to -9 V (using R2) for an ST7565V the temperature gradient = $-0.05\%/^\circ\text{C}$.

When the central value for the electronic volume register is set at (D5, D4, D3, D2, D1, D0) = (1, 0, 0, 0, 0, 0), then $\alpha = 31$ and $V_{REG} = -2.1$ V so, according to equation C-1, when $\Delta R_2 = 0 \Omega$, in order to make $V_5 = -9$ V,

$$-9\text{V} = \left(1 + \frac{R_3 + R_2}{R_1} \right) \cdot \left(1 - \frac{31}{162} \right) \cdot (-2.1)$$

When $\Delta R_2 = R_2$, in order to make $V = -5$ V,

$$-5\text{V} = \left(1 + \frac{R_3}{R_1 + R_2} \right) \cdot \left(1 - \frac{31}{162} \right) \cdot (-2.1)$$

When the current flowing V_{DD} and V_5 is set to 5 μA ,

$$R_1 + R_2 + R_3 = 1.4\text{M}\Omega \quad (\text{Equation C-4})$$

With this, according to equation C-2, C-3 and C-4,

$$R_1 = 264\text{k}\Omega$$

$$R_2 = 211\text{k}\Omega$$

$$R_3 = 925\text{k}\Omega$$

The V_5 voltage variable range and notch width based on the electron volume function is as shown in Table 15.

Table 15

V5	Min	Typ	Max	Units
Variable Range	-8.7 (63 levels)	-7.0 (central value)	-5.3 (0 level)	[V]
Notch width		53		[mV]

ST7565V

- * When the V5 voltage regulator internal resistors or the electronic volume function is used, it is necessary to at least set the voltage regulator circuit and the voltage follower circuit to an operating mode using the power control set commands. Moreover, it is necessary to provide a voltage from VOUT when the Booster circuit is OFF.
- * The VR terminal is enabled only when the V5 voltage regulator internal resistors are not used (i.e. the IRS terminal = "L"). When the V5 voltage regulator internal resistors are used (i.e. when the IRS terminal = "H"), then the VR terminal is left open.
- * Because the input impedance of the VR terminal is high, it is necessary to take into consideration short leads, shield cables, etc. to handle noise.

The LCD Voltage Generator Circuit

The V5 voltage is produced by a resistive voltage divider within the IC, and can be produced at the V1, V2, V3, and V4 voltage levels required for liquid crystal driving. Moreover,

when the voltage follower changes the impedance, it provides V1, V2, V3 and V4 to the liquid crystal drive circuit.

High Power Mode

The power supply circuit equipped in the ST7565V chips has very low power consumption (normal mode: HPM = "H"). However, for LCDs or panels with large loads, this low-power power supply may cause display quality to degrade. When this occurs, setting the HPM terminal to "L" (high power mode) can improve the quality of the display. We recommend that

the display be checked on actual equipment to determine whether or not to use this mode. Moreover, if the improvement to the display is inadequate even after high power mode has been set, then it is necessary to add a liquid crystal drive power supply externally.

The Internal Power Supply Shutdown Command Sequence

The sequence shown in Figure 13 is recommended for shutting down the internal power supply, first placing the

power supply in power saver mode and then turning the power supply OFF.

Sequence	Details (Command, status)	Command address D7 D6 D5 D4 D3 D2 D1 D0	
Step1	Display OFF	1 0 1 0 1 1 1 0	} Power saver commands
Step2	Display all points ON	1 0 1 0 0 1 0 1	
End	Internal power supply OFF		(compound)

Figure 13

The temperature grade of the Internal Power Supply for ST7565V (-0.05%/°C) :

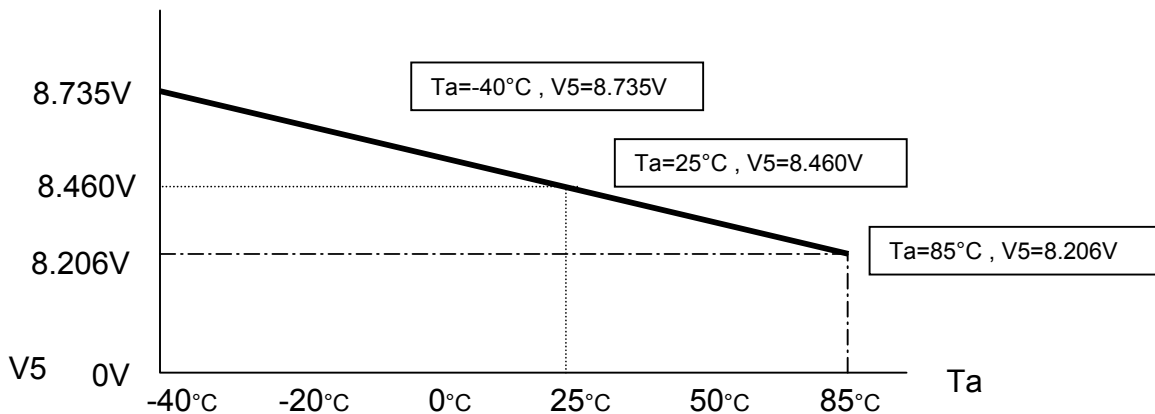


Figure 14

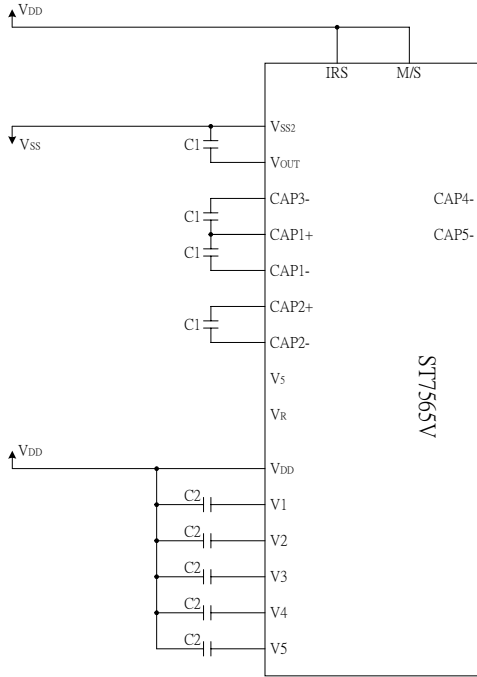
ST7565V

Reference Circuit Examples

1. When used all of the step-up circuit, voltage regulating circuit and V/F circuit

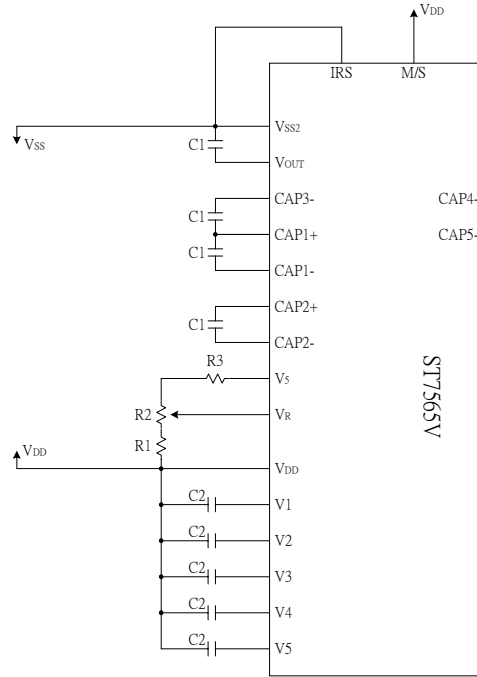
(1) When the voltage regulator internal resistor is used.

(Example where $V_{SS2} = V_{SS}$, with 4x step-up)



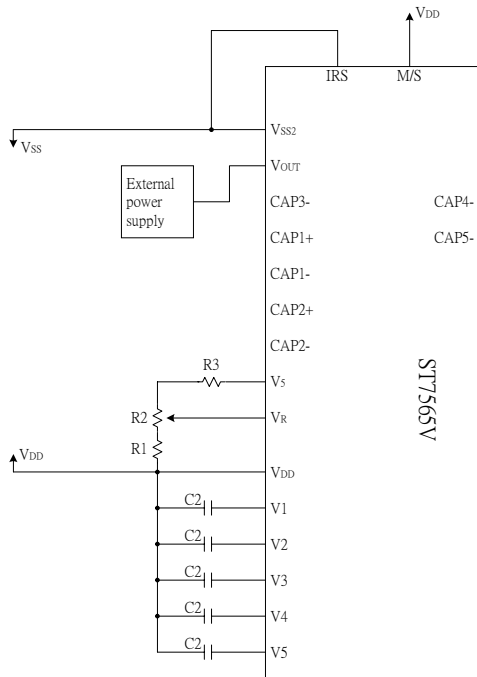
(2) When the voltage regulator internal resistor is not used.

(Example where $V_{SS2} = V_{SS}$, with 4x step-up)

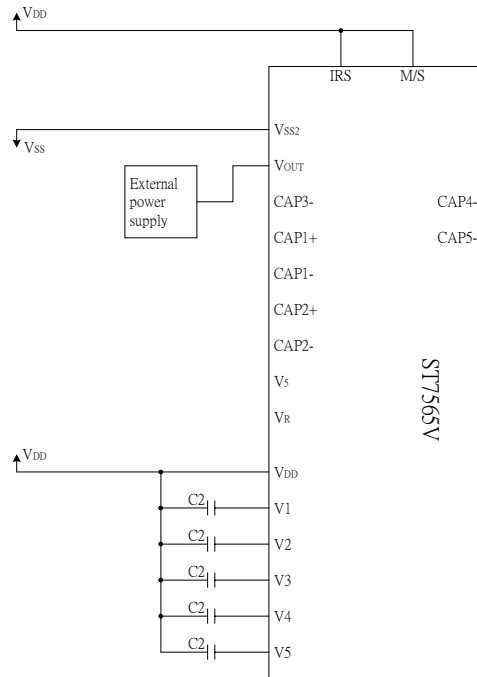


2. When the voltage regulator circuit and V/F circuit alone are used

(1) When the V_5 voltage regulator internal resistor is not used.

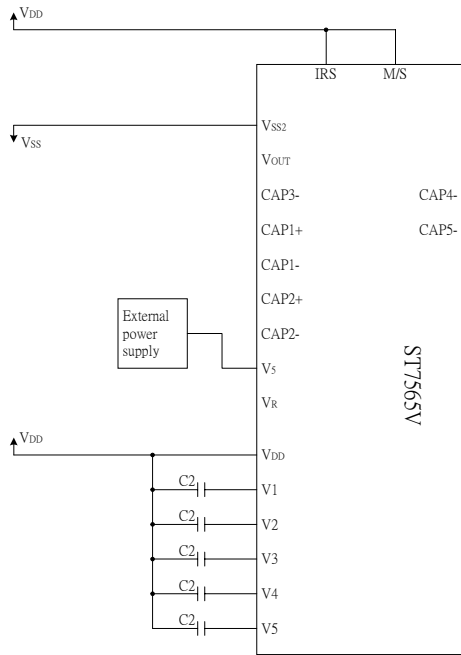


(2) When the V_5 voltage regulator internal resistor is used.

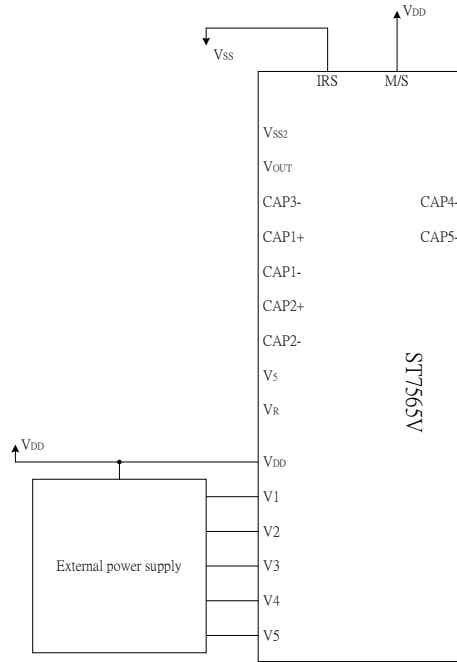


ST7565V

(3) When the V/F circuit alone is used



(4) When the built-in power is not used



Item	Set value	units
c1	1.0 to 4.7	uF
c2	0.1 to 4.7	uF

C1 and C2 are determined by the size of the LCD being driven

- * 1. Because the VR terminal input impedance is high, use short leads and shielded lines.
- * 2. C1 and C2 are determined by the size of the LCD being driven. Select a value that will stabilize the liquid crystal drive voltage.

Example of the Process by which to Determine the Settings:

- Turn the voltage regulator circuit and voltage follower circuit ON and supply a voltage to VOUT from the outside.
- Determine C2 by displaying an LCD pattern with a heavy load (such as horizontal stripes) and selecting a C2 that stabilizes the liquid crystal drive voltages (V1 to V5). Note that all C2 capacitors must have the same capacitance value.
- Next turn all the power supplies ON and determine C1.

The Reset Circuit

When the /RES input comes to the "L" level, these LSIs return to the default state. Their default states are as follows:

1. Display OFF
2. Normal display
3. ADC select: Normal (ADC command D0 = "L")
4. Power control register: (D2, D1, D0) = (0, 0, 0)
5. Serial interface internal register data clear
6. LCD power supply bias rate:
1/65 DUTY = 1/9 bias
1/49, 1/55, 1/53 DUTY = 1/8 bias
1/33 DUTY = 1/6 bias
7. All-indicator lamps-on OFF (All-indicator lamps ON/OFF command D0 = "L")
8. Power saving clear
9. V₅ voltage regulator internal resistors Ra and Rb separation
10. Output conditions of SEG and COM terminals
SEG=VDD, COM=VDD
11. Read modify write OFF
12. Static indicator OFF Static indicator register : (D1, D2) = (0, 0)
13. Display start line set to first line
14. Column address set to Address 0
15. Page address set to Page 0
16. Common output status normal
17. V₅ voltage regulator internal resistor ratio set mode clear
18. Electronic volume register set mode clear Electronic volume register :
(D5, D4, D3, D2, D1, D0) = (1, 0, 0, 0, 0, 0)
19. Test mode clear

On the other hand, when the reset command is used, the above default settings from 11 to 19 are only executed. When the power is turned on, the IC internal state becomes unstable, and it is necessary to initialize it using the /RES terminal. After the initialization, each input terminal should be controlled normally.

Moreover, when the control signal from the MPU is in the high impedance, an over current may flow to the IC. After applying a current, it is necessary to take proper measures to prevent the input terminal from getting into the high impedance state.

If the internal liquid crystal power supply circuit is not used on ST7565V, it is necessary that /RES is "H" when the external liquid crystal power supply is turned on. This IC has the function to discharge V₅ when /RES is "L," and the external power supply short-circuits to VDD when /RES is "L." While /RES is "L," the oscillator and the display timing generator stop, and the CL, FR, FRS and /DOF terminals are fixed to "H." The terminals D0 to D7 are not affected. The VDD level is output from the SEG and COM output terminals. This means that an internal resistor is connected between VDD and V₅.

When the internal liquid crystal power supply circuit is not used on other models of ST7565V series, it is necessary that /RES is "L" when the external liquid crystal power supply is turned on.

While /RES is "L," the oscillator works but the display timing generator stops, and the CL, FR, FRS and /DOF terminals are fixed to "H." The terminals D0 to D7 are not affected.

COMMANDS

The ST7565V identify the data bus signals by a combination of A0, /RD (E), /WR(R/W) signals. Command interpretation and execution does not depend on the external clock, but rather is performed through internal timing only, and thus the processing is fast enough that normally a busy check is not required.

In the 8080 MPU interface, commands are launched by inputting a low pulse to the RD terminal for reading, and inputting a low pulse to the /WR terminal for writing. In the 6800 Series MPU interface, the interface is placed in a read mode when an "H" signal is input to the R/W terminal and placed in a write mode when a "L" signal is input to the R/W terminal and then the command is launched by inputting a high pulse to the E terminal. Consequently, the 6800 Series MPU interface is different than the 80x86 Series MPU interface in that in the explanation of commands and the display commands the status read and display data read /RD (E) becomes "1(H)". In the explanations below the commands are explained using the 8080 Series MPU interface as the example.

When the serial interface is selected, the data is input in sequence starting with D7.

<Explanation of Commands>

Display ON/OFF

This command turns the display ON and OFF.

E			R/W							Setting		
A0	/RD	/WR	D7	D6	D5	D4	D3	D2	D1		D0	
0	1	0	1	0	1	0	1	1	1	1	0	Display ON Display OFF

When the display OFF command is executed when in the display all points ON mode, power saver mode is entered. See the section on the power saver for details.

Display Start Line Set

This command is used to specify the display start line address of the display data RAM shown in Figure 4. For further details see the explanation of this function in "The Line Address Circuit".

E			R/W							Line address		
A0	/RD	/WR	D7	D6	D5	D4	D3	D2	D1		D0	
0	1	0	0	1	0	0	0	0	0	0	0	0
					0	0	0	0	0	0	1	1
					0	0	0	0	1	0		2
								↓				↓
					1	1	1	1	1	0		62
					1	1	1	1	1	1		63

Page Address Set

This command specifies the page address corresponding to the low address when the MPU accesses the display data RAM (see Figure 4). Specifying the page address and column address enables to access a desired bit of the display data RAM. Changing the page address does not accompany a change in the status display.

E			R/W							Page address		
A0	/RD	/WR	D7	D6	D5	D4	D3	D2	D1		D0	
0	1	0	1	0	1	1	0	0	0	0	0	0
							0	0	0	1		1
							0	0	1	0		2
								↓				↓
							0	1	1	1		7
							1	0	0	0		8

Display Data Read

This command reads 8-bit data from the specified display data RAM address. Since the column address is automatically incremented by “1” after the read, the CPU can continuously read multiple-word data. One dummy read is required immediately after the column address has been set. See the function explanation in “Display Data RAM” for the explanation of accessing the internal registers. When the serial interface is used, reading of the display data becomes unavailable.

E		R/W									
A0	/RD	/WR	D7 D6 D5 D4 D3 D2 D1 D0								
1	0	1	Read data								

ADC Select (Segment Driver Direction Select)

This command can reverse the correspondence between the display RAM data column address and the segment driver output. Thus, sequence of the segment driver output pins may be reversed by the command. See the column address circuit (page 1–20) for the detail. Increment of the column address (by “1”) accompanying the reading or writing the display data is done according to the column address indicated in Figure 4.

E		R/W										
A0	/RD	/WR	D7	D6	D5	D4	D3	D2	D1	D0	Setting	
0	1	0	1	0	1	0	0	0	0	0	Normal	
										1	Reverse	

Display Normal/Reverse

This command can reverse the lit and unlit display without overwriting the contents of the display data RAM. When this is done the display data RAM contents are maintained.

E		R/W										
A0	/RD	/WR	D7	D6	D5	D4	D3	D2	D1	D0	Setting	
0	1	0	1	0	1	0	0	1	1	0	RAM Data “H” LCD ON voltage (normal)	
										1	RAM Data “L” LCD ON voltage (reverse)	

Display All Points ON/OFF

This command makes it possible to force all display points ON regardless of the content of the display data RAM. The contents of the display data RAM are maintained when this is done. This command takes priority over the display normal/reverse command.

E		R/W										
A0	/RD	/WR	D7	D6	D5	D4	D3	D2	D1	D0	Setting	
0	1	0	1	0	1	0	0	1	0	0	Normal display mode	
										1	Display all points ON	

When the display is in an OFF mode, executing the display all points ON command will place the display in power save mode. For details, see the Power Save section.

ST7565V

LCD Bias Set

This command selects the voltage bias ratio required for the liquid crystal display.

E		R/W									Select Status				
A0	/RD	/WR	D7	D6	D5	D4	D3	D2	D1	D0	1/65duty	1/49duty	1/33duty	1/55duty	1/53duty
0	1	0	1	0	1	0	0	0	1	0	1/9 bias	1/8 bias	1/6 bias	1/8 bias	1/8 bias
										1	1/7 bias	1/6 bias	1/5 bias	1/6 bias	1/6 bias

Read/Modify/Write

This command is used paired with the “END” command. Once this command has been input, the display data read command does not change the column address, but only the display data write command increments (+1) the column address. This mode is maintained until the END command is input. When the END command is input, the column address returns to the address it was at when the read/modify/write command was entered. This function makes it possible to reduce the load on the MPU when there are repeating data changes in a specified display region, such as when there is a blanking cursor.

E		R/W								
A0	/RD	/WR	D7	D6	D5	D4	D3	D2	D1	D0
0	1	0	1	1	1	0	0	0	0	0

* Even in read/modify/write mode, other commands aside from display data read/write commands can also be used.

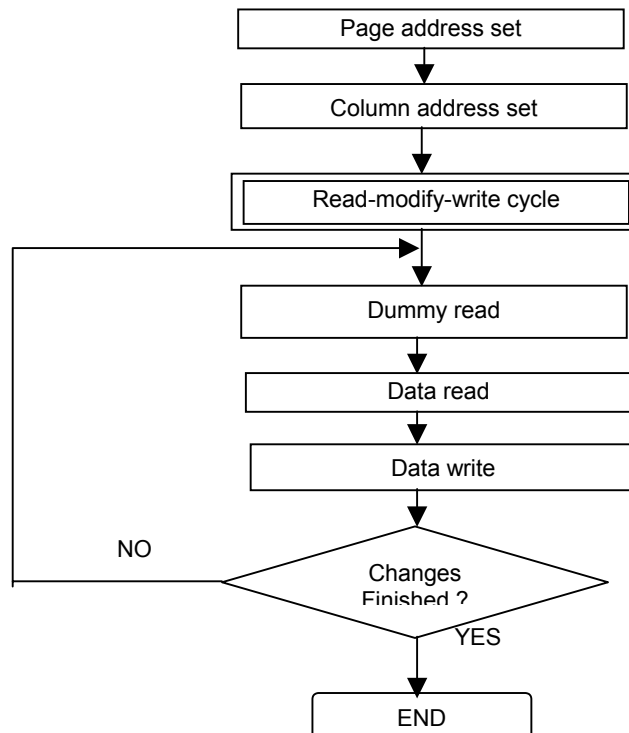


Figure 24 Command Sequence For read modify write

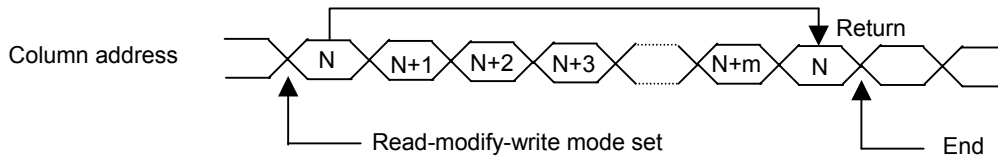


Figure 25

End

This command releases the read/modify/write mode, and returns the column address to the address it was at when the mode was entered.

E R/W										
A0	/RD	/WR	D7	D6	D5	D4	D3	D2	D1	D0
0	1	0	1	1	1	0	1	1	1	0

Reset

This command initializes the display start line, the column address, the page address, the common output mode, the V5 voltage regulator internal resistor ratio, the electronic volume, and the static indicator are reset, and the read/modify/write mode and test mode are released. There is no impact on the display data RAM. See the function explanation in "Reset" for details. The reset operation is performed after the reset command is entered.

E R/W										
A0	/RD	/WR	D7	D6	D5	D4	D3	D2	D1	D0
0	1	0	1	1	1	0	0	0	1	0

The initialization when the power supply is applied must be done through applying a reset signal to the /RES terminal. The reset command must not be used instead.

Common Output Mode Select

This command can select the scan direction of the COM output terminal. For details, see the function explanation in "Common Output Mode Select Circuit."

E R/W			Selected Mode													
A0	/RD	/WR	D7	D6	D5	D4	D3	D2	D1	D0		1/65duty	1/49duty	1/33duty	1/55duty	1/53duty
0	1	0	1	1	0	0	0	*	*	*	Normal	COM0→COM63	COM0→COM47	COM0→COM31	COM0→COM53	COM0→COM51
						1					Reverse	COM63→COM0	COM47→COM0	COM31→COM0	COM53→COM0	COM51→COM0

* Disabled bit

ST7565V

Power Controller Set

This command sets the power supply circuit functions. See the function explanation in "The Power Supply Circuit," for details

E R/W											
A0	/RD	/WR	D7	D6	D5	D4	D3	D2	D1	D0	Selected Mode
0	1	0	0	0	1	0	1	0			Booster circuit: OFF
								1			Booster circuit: ON
									0		
								1		Voltage regulator circuit: ON	
									0		Voltage follower circuit: OFF
									1		Voltage follower circuit: ON

V5 Voltage Regulator Internal Resistor Ratio Set

This command sets the V5 voltage regulator internal resistor ratio. For details, see the function explanation is "The Voltage Regulator circuit " and table 11 .

E R/W												
A0	/RD	/WR	D7	D6	D5	D4	D3	D2	D1	D0	Rb/Ra Ratio	
0	1	0	0	0	1	0	0	0	0	0	Small	
								0	0	1		
									0	1	0	
										↓		
									1	1	1	
						1	1	1		Large		

The Electronic Volume (Double Byte Command)

This command makes it possible to adjust the brightness of the liquid crystal display by controlling the LCD drive voltage V5 through the output from the voltage regulator circuits of the internal liquid crystal power supply. This command is a two byte command used as a pair with the electronic volume mode set command and the electronic volume register set command, and both commands must be issued one after the other.

The Electronic Volume Mode Set

When this command is input, the electronic volume register set command becomes enabled. Once the electronic volume mode has been set, no other command except for the electronic volume register command can be used. Once the electronic volume register set command has been used to set data into the register, then the electronic volume mode is released.

E R/W										
A0	/RD	/WR	D7	D6	D5	D4	D3	D2	D1	D0
0	1	0	1	0	0	0	0	0	0	1

Electronic Volume Register Set

By using this command to set six bits of data to the electronic volume register, the liquid crystal drive voltage V_5 assumes one of the 64 voltage levels.

When this command is input, the electronic volume mode is released after the electronic volume register has been set.

E R/W												
A0	/RD	/WR	D7	D6	D5	D4	D3	D2	D1	D0	V ₅	
0	1	0	*	*	0	0	0	0	0	1	Small	
			*	*	0	0	0	0	1	0		
			*	*	0	0	0	0	1	1		
			*	*	1	1	1	1	1	1	0	Large
			*	*	1	1	1	1	1	1	1	

* Inactive bit (set "0")

When the electronic volume function is not used, set this to (1, 0, 0, 0, 0, 0, 0)

The Electronic Volume Register Set Sequence

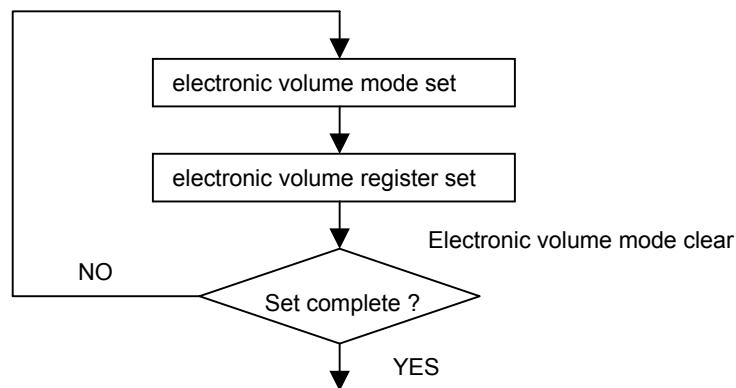


Figure 26

Static Indicator (Double Byte Command)

This command controls the static drive system indicator display. The static indicator display is controlled by this command only, and is independent of other display control commands.

This is used when one of the static indicator liquid crystal drive electrodes is connected to the FR terminal, and the other is connected to the FRS terminal. A different pattern is recommended for the static indicator electrodes than for the dynamic drive electrodes. If the pattern is too close, it can result in deterioration of the liquid crystal and of the electrodes.

The static indicator ON command is a double byte command paired with the static indicator register set command, and thus one must execute one after the other. (The static indicator OFF command is a single byte command.)

Static Indicator ON/OFF

When the static indicator ON command is entered, the static indicator register set command is enabled. Once the static indicator ON command has been entered, no other command aside from the static indicator register set command can be used. This mode is cleared when data is set in the register by the static indicator register set command.

E R/W											
A0	/RD	/WR	D7	D6	D5	D4	D3	D2	D1	D0	Static Indicator
0	1	0	1	0	1	0	1	1	0	0	OFF
										1	ON

Static Indicator Register Set

This command sets two bits of data into the static indicator register, and is used to set the static indicator into a blinking mode.

E		R/W											
A0	/RD	/WR	D7	D6	D5	D4	D3	D2	D1	D0	Indicator Display State		
0	1	0	*	*	*	*	*	*	0	0	OFF		
									0	1	ON (blinking at approximately one second intervals)		
									1	0	ON (blinking at approximately 0.5 second intervals)		
									1	1	ON (constantly on)		

* Disabled bit (set "0")

Static Indicator Register Set Sequence

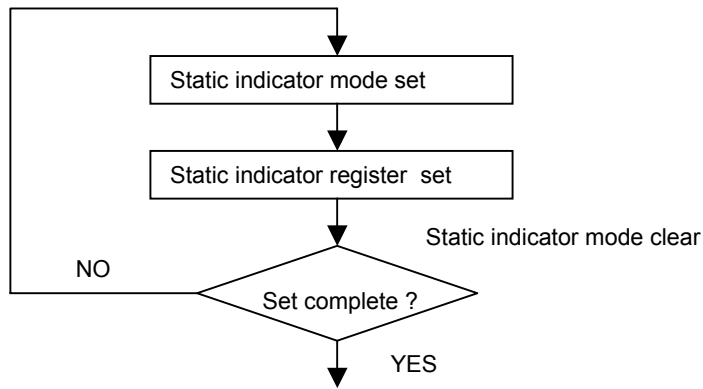


Figure 27

Power Save (Compound Command)

When the display all points ON is performed while the display is in the OFF mode, the power saver mode is entered, thus greatly reducing power consumption.

The power saver mode has two different modes: the sleep mode and the standby mode. When the static indicator is OFF, it is the sleep mode that is entered. When the static indicator is ON, it is the standby mode that is entered.

In the sleep mode and in the standby mode, the display data is saved as is the operating mode that was in effect before the power saver mode was initiated, and the MPU is still able to access the display data RAM.

Refer to figure 28 for power save off sequence.

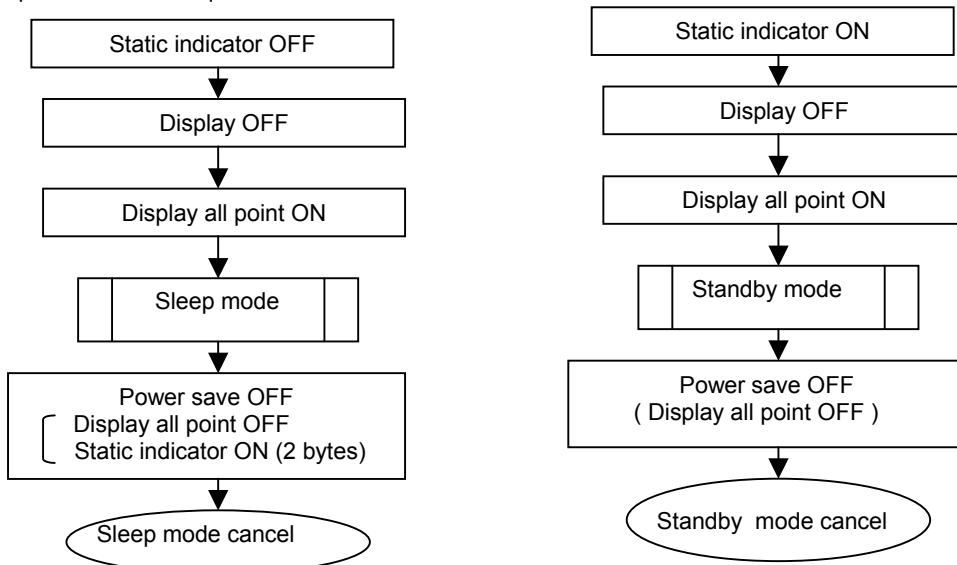


Figure 28

ST7565V

Sleep Mode

This stops all operations in the LCD display system, and as long as there are no accesses from the MPU, the consumption current is reduced to a value near the static current. The internal modes during sleep mode are as follows:

1. The oscillator circuit and the LCD power supply circuit are halted.
2. All liquid crystal drive circuits are halted, and the segment in common drive outputs output a V_{DD} level.

Standby Mode

The duty LCD display system operations are halted and only the static drive system for the indicator continues to operate, providing the minimum required consumption current for the static drive. The internal modes are in the following states during standby mode.

- 1 The LCD power supply circuits are halted. The oscillator circuit continues to operate.
- 2 The duty drive system liquid crystal drive circuits are halted and the segment and common driver outputs output a V_{DD} level. The static drive system does not operate.

When a reset command is performed while in standby mode, the system enters sleep mode.

* When an external power supply is used, it is recommended that the functions of the external power supply circuit be stopped when the power saver mode is started. For example, when the various levels of liquid crystal drive voltage are provided by external resistive voltage dividers, it is recommended that a circuit be added in order to cut the electrical current flowing through the resistive voltage divider circuit when the power saver mode is in effect. The ST7565V series chips have a liquid crystal display blanking control terminal /DOF. This terminal enters an "L" state when the power saver mode is launched. Using the output of /DOF, it is possible to stop the function of an external power supply circuit.

* When the master is turned on, the oscillator circuit is operable immediately after the powering on.

The Booster Ratio (Double Byte Command)

This command makes it possible to select step-up ratio. It is used when the power control set have turn on the internal booster circuit. This command is a two byte command used as a pair with the booster ratio select mode set command and the booster ratio register set command, and both commands must be issued one after the other.

Booster Ratio Select Mode Set

When this command is input, the Booster ratio register set command becomes enabled. Once the booster ratio select mode has been set, no other command except for the booster ratio register command can be used. Once the booster ratio register set command has been used to set data into the register, then the booster ratio select mode is released.

E R/W										
A0	/RD	/WR	D7	D6	D5	D4	D3	D2	D1	D0
0	1	0	1	1	1	1	1	0	0	0

Booster Ratio Register Set

By using this command to set two bits of data to the booster ratio register, it can be select what kind of the booster ratio can be used.

When this command is input, the booster ratio select mode is released after the booster ratio register has been set.

E R/W											
A0	/RD	/WR	D7	D6	D5	D4	D3	D2	D1	D0	Booster ratio select
0	1	0	*	*	*	*	*	*	0	0	2x,3x,4x
			*	*	*	*	*	*	0	1	5x
			*	*	*	*	*	*	1	1	6x

* Inactive bit (set "0")

When the booster ratio select function is not used, set this to (0, 0) 2x,3x,4x step-up mode

The booster ratio Register Set Sequence

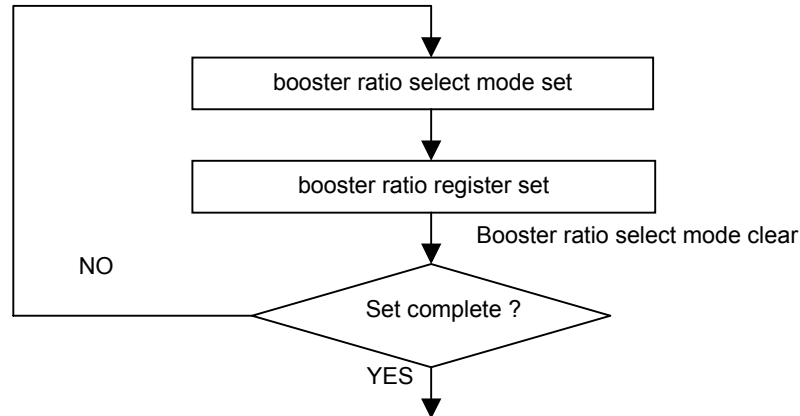


Figure 29

NOP

Non-Operation Command

E		R/W									
A0	/RD	/WR	D7	D6	D5	D4	D3	D2	D1	D0	
0	1	0	1	1	1	0	0	0	1	1	

Test

This is a command for IC chip testing. Please do not use it. If the test command is used by accident, it can be cleared by applying a "L" signal to the /RES input by the reset command or by using an NOP.

E		R/W									
A0	/RD	/WR	D7	D6	D5	D4	D3	D2	D1	D0	
0	1	0	1	1	1	1	1	1	*	*	

* Inactive bit

Note: The ST7565V maintain their operating modes until something happens to change them. Consequently, excessive external noise, etc., can change the internal modes of the ST7565V. Thus in the packaging and system design it is necessary to suppress the noise or take measure to prevent the noise from influencing the chip. Moreover, it is recommended that the operating modes be refreshed periodically to prevent the effects of unanticipated noise.

Table 16: Table of ST7565V Commands

(Note) *: disabled data

Command	Command Code								Function				
	A0	/RD	/WR	D7	D6	D5	D4	D3		D2	D1	D0	
(1) Display ON/OFF	0	1	0	1	0	1	0	1	1	1	0	1	LCD display ON/OFF 0: OFF, 1: ON
(2) Display start line set	0	1	0	0	1	Display start address					1	Sets the display RAM display start line address	
(3) Page address set	0	1	0	1	0	1	1	Page address				1	Sets the display RAM page address
(4) Column address set upper bit	0	1	0	0	0	0	1	Most significant column address				1	Sets the most significant 4 bits of the display RAM column address.
Column address set lower bit	0	1	0	0	0	0	0	Least significant column address				1	Sets the least significant 4 bits of the display RAM column address.
(5) Status read	0	0	1	Status				0	0	0	0	0	Reads the status data
(6) Display data write	1	1	0	Write data								Writes to the display RAM	
(7) Display data read	1	0	1	Read data								Reads from the display RAM	
(8) ADC select	0	1	0	1	0	1	0	0	0	0	0	1	Sets the display RAM address SEG output correspondence 0: normal, 1: reverse
(9) Display normal/reverse	0	1	0	1	0	1	0	0	1	1	0	1	Sets the LCD display normal/reverse 0: normal, 1: reverse
(10) Display all points ON/OFF	0	1	0	1	0	1	0	0	1	0	0	1	Display all points 0: normal display 1: all points ON
(11) LCD bias set	0	1	0	1	0	1	0	0	0	1	0	1	Sets the LCD drive voltage bias ratio 0: 1/9 bias, 1: 1/7 bias (ST7565V)
(12) Read/modify/write	0	1	0	1	1	1	0	0	0	0	0	0	Column address increment At write: +1 At read: 0
(13) End	0	1	0	1	1	1	0	1	1	1	0	0	Clear read/modify/write
(14) Reset	0	1	0	1	1	1	0	0	0	1	0	0	Internal reset
(15) Common output mode select	0	1	0	1	1	0	0	0	*	*	*	1	Select COM output scan direction 0: normal direction 1: reverse direction
(16) Power control set	0	1	0	0	0	1	0	1	Operating mode			1	Select internal power supply operating mode
(17) V5 voltage regulator internal resistor ratio set	0	1	0	0	0	1	0	0	Resistor ratio			1	Select internal resistor ratio(Rb/Ra) mode
(18) Electronic volume mode set	0	1	0	1	0	0	0	0	0	0	0	1	Set the V5 output voltage electronic volume register
Electronic volume register set				0	0	Electronic volume value					1		
(19) Static indicator ON/OFF	0	1	0	1	0	1	0	1	1	0	0	1	0: OFF, 1: ON
Static indicator register set				0	0	0	0	0	0	0	0	0	Mode
(20) Booster ratio set	0	1	0	1	1	1	1	1	0	0	0	0	select booster ratio 00: 2x,3x,4x 01: 5x 11: 6x
(21) Power saver													Display OFF and display all points ON compound command
(22) NOP	0	1	0	1	1	1	0	0	0	1	1	1	Command for non-operation
(23) Test	0	1	0	1	1	1	1	*	*	*	*	*	Command for IC test. Do not use this command

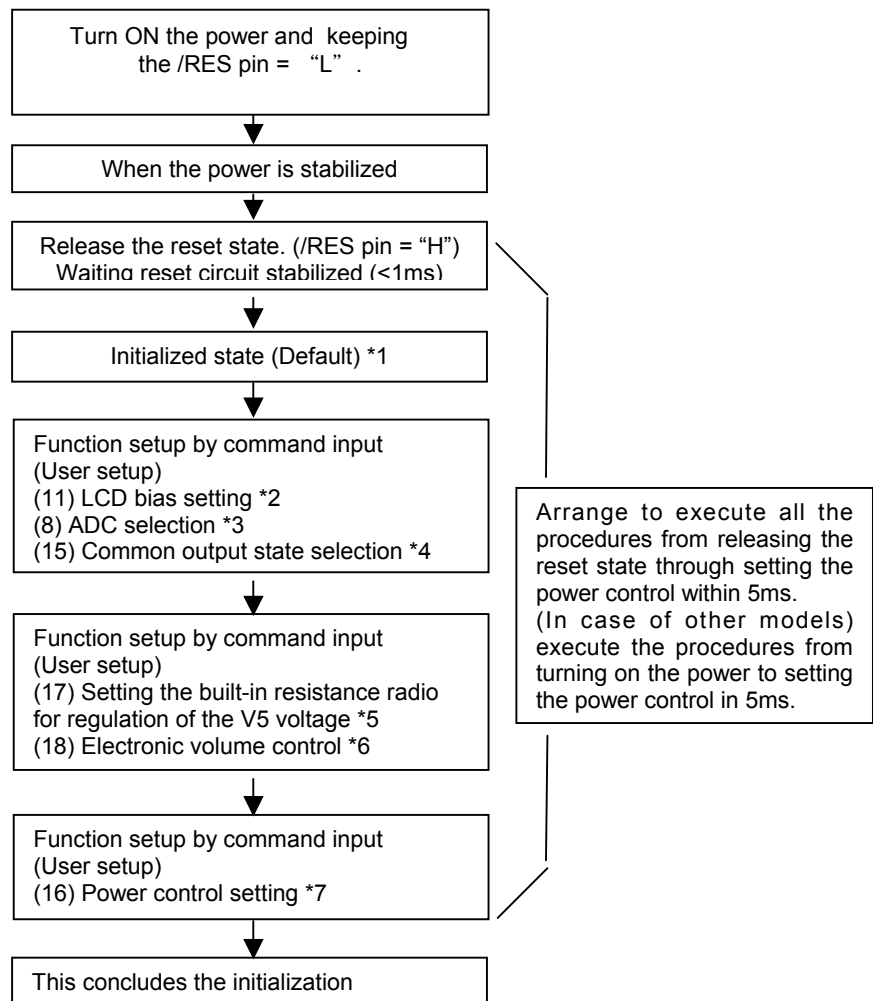
COMMAND DESCRIPTION

Instruction Setup: Reference

(1) Initialization

Note: With this IC, when the power is applied, LCD driving non-selective potentials V₂ and V₃ (SEG pin) and V₁ and V₄ (COM pin) are output through the LCD driving output pins SEG and COM. When electric charge is remaining in the smoothing capacitor connecting between the LCD driving voltage output pins (V₁ ~ V₅) and the V_{DD} pin, the picture on the display may become totally dark instantaneously when the power is turned on. To avoid occurrence of such a failure, we recommend the following flow when turning on the power.

1. When the built-in power is being used immediately after turning on the power:



* The target time of 5ms will result to vary depending on the panel characteristics and the capacitance of the smoothing capacitor. Therefore, we suggest you to conduct an operation check using the actual equipment.

Notes: Refer to respective sections or paragraphs listed below.

*1: Description of functions; Resetting circuit

*2: Command description; LCD bias setting

*3: Command description; ADC selection

*4: Command description; Common output state selection

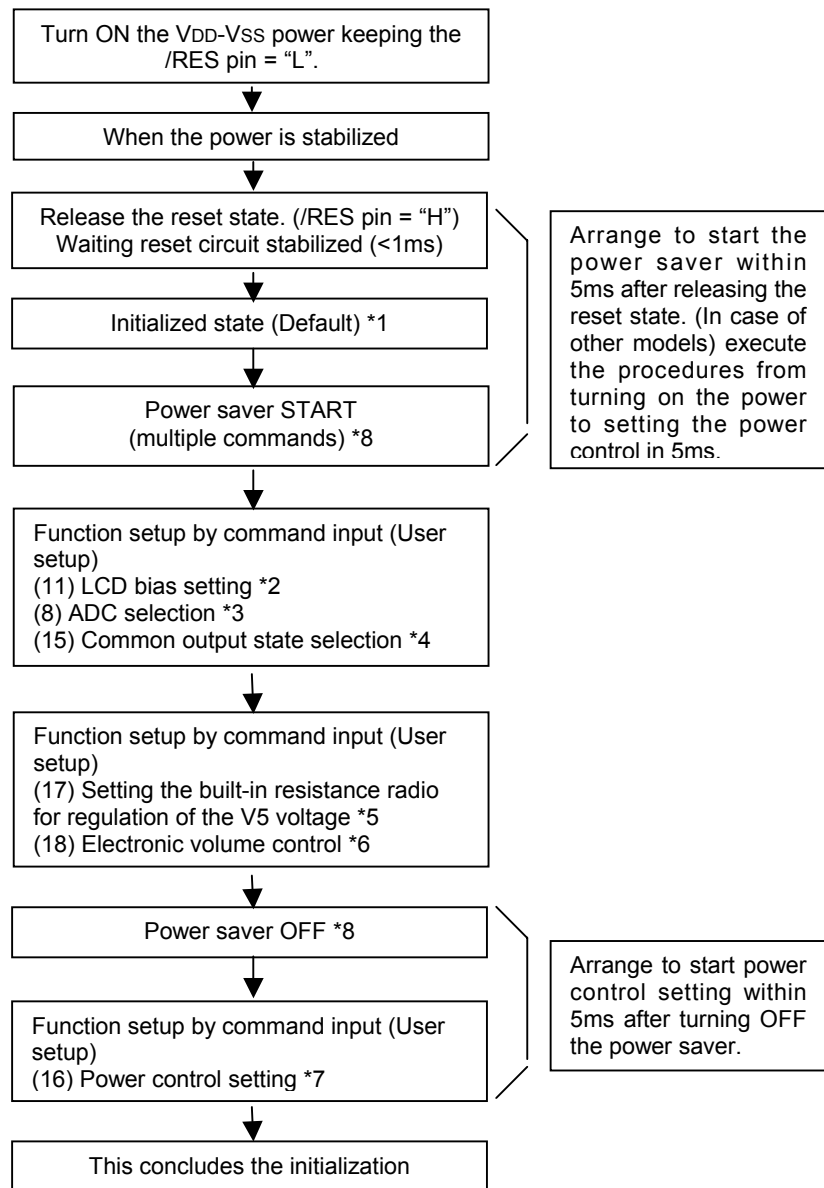
*5: Description of functions; Power circuit & Command description; Setting the built-in resistance ratio for regulation of the V₅ voltage

*6: Description of functions; Power circuit & Command description; Electronic volume control

*7: Description of functions; Power circuit & Command description; Power control setting

ST7565V

2. When the built-in power is not being used immediately after turning on the power:



* The target time of 5ms will result to vary depending on the panel characteristics and the capacitance of the smoothing capacitor. Therefore, we suggest you to conduct an operation check using the actual equipment.

Notes: Refer to respective sections or paragraphs listed below.

*1: Description of functions; Resetting circuit

*2: Command description; LCD bias setting

*3: Command description; ADC selection

*4: Command description; Common output state selection

*5: Description of functions; Power circuit & Command description; Setting the built-in resistance ratio for regulation of the V5 voltage

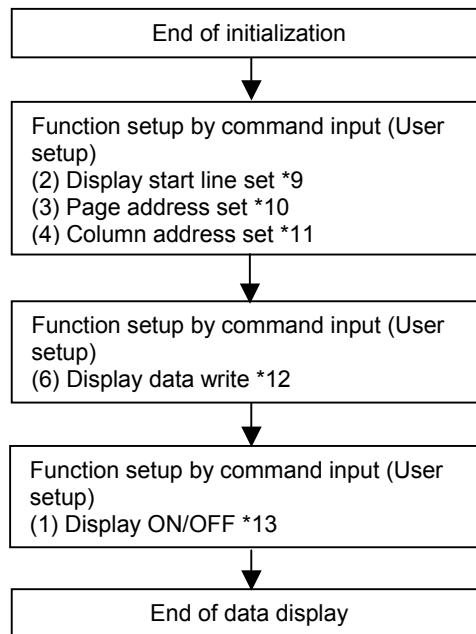
*6: Description of functions; Power circuit & Command description; Electronic volume control

*7: Description of functions; Power circuit & Command description; Power control setting

*8: The power saver ON state can either be in sleep state or stand-by state.

Command description; Power saver START (multiple commands)

(2) Data Display



Notes: Reference items

*9: Command Description; Display start line set

*10: Command Description; Page address set

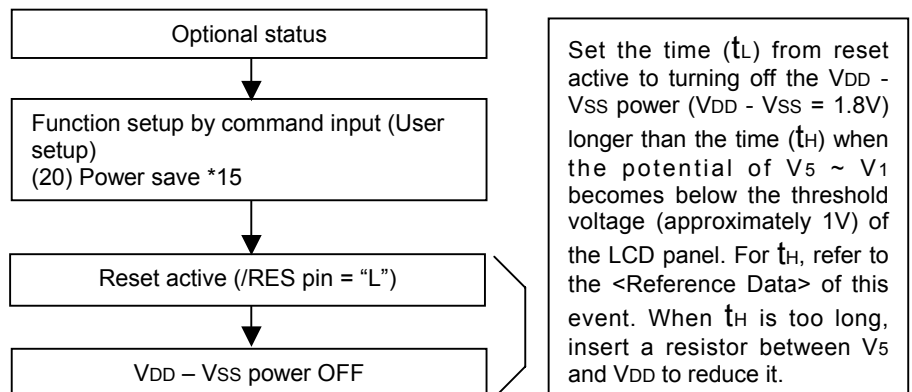
*11: Command Description; Column address set

*12: Command Description; Display data write

*13: Command Description; Display ON/OFF

Avoid displaying all the data at the data display start (when the display is ON) in white.

(3) Power OFF *14



Notes: Reference items

*14: The logic circuit of this IC's power supply $V_{DD} - V_{SS}$ controls the driver of the LCD power supply $V_{DD} - V_5$. So, if the power supply $V_{DD} - V_{SS}$ is cut off when the LCD power supply $V_{DD} - V_5$ has still any residual voltage, the driver (COM. SEG) may output any uncontrolled voltage. When turning off the power, observe the following basic procedures:

- After turning off the internal power supply, make sure that the potential $V_5 \sim V_1$ has become below the threshold voltage of the LCD panel, and then turn off this IC's power supply ($V_{DD} - V_{SS}$). 6. Description of Function, 6.7 Power Circuit

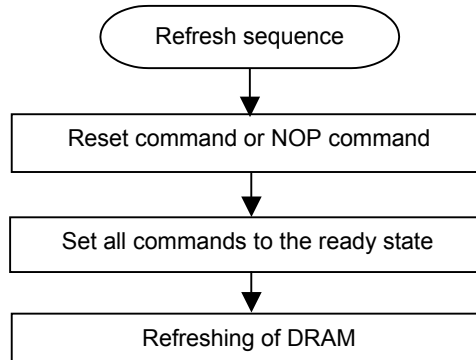
*15: After inputting the power save command, be sure to reset the function using the /RES terminal until the power supply $V_{DD} - V_{SS}$ is turned off. 7. Command Description (20) Power Save

*16: After inputting the power save command, do not reset the function using the /RES terminal until the power supply $V_{DD} - V_{SS}$ is turned off. 7. Command Description (20) Power Save

ST7565V

Refresh

It is recommended to turn on the refresh sequence regularly at a specified interval.



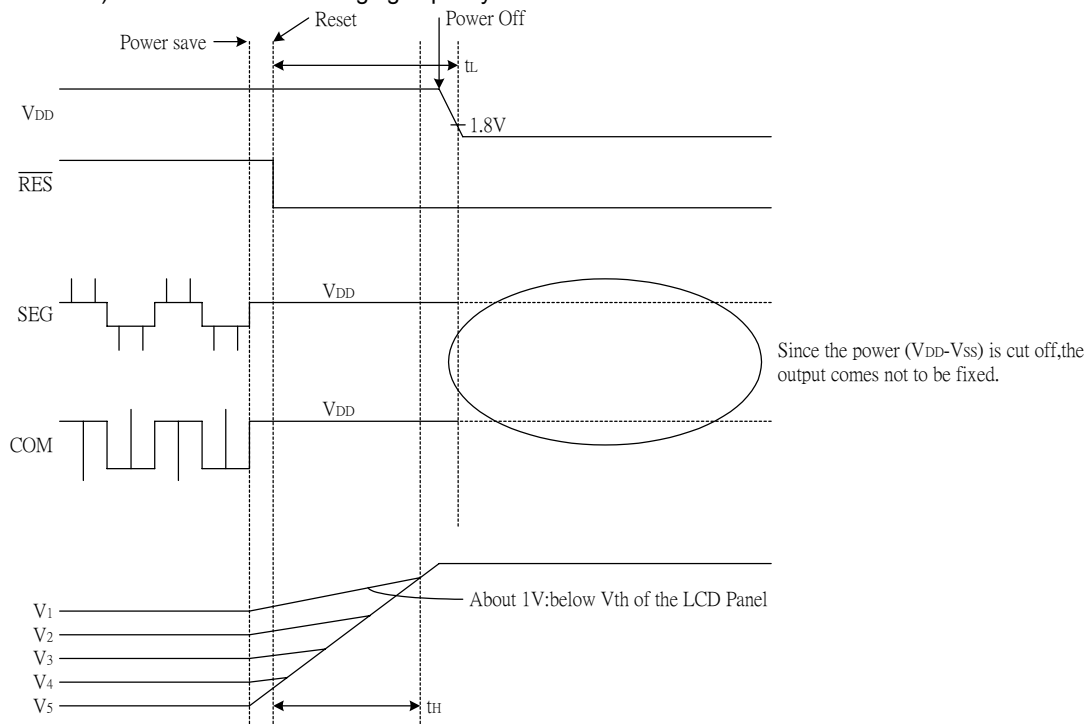
Precautions on Turning off the power

<Turning the power (V_{DD} - V_{SS}) off>

1) Power Save (The LCD powers (V_{DD} - V₅) are off.) → Reset input → Power (V_{DD} - V_{SS}) OFF

- Observe $t_L > t_H$.
- When $t_L < t_H$, an irregular display may occur.

Set t_L on the MPU according to the software. t_H is determined according to the external capacity C₂ (smoothing capacity of V₅ ~ V₁) and the driver's discharging capacity.

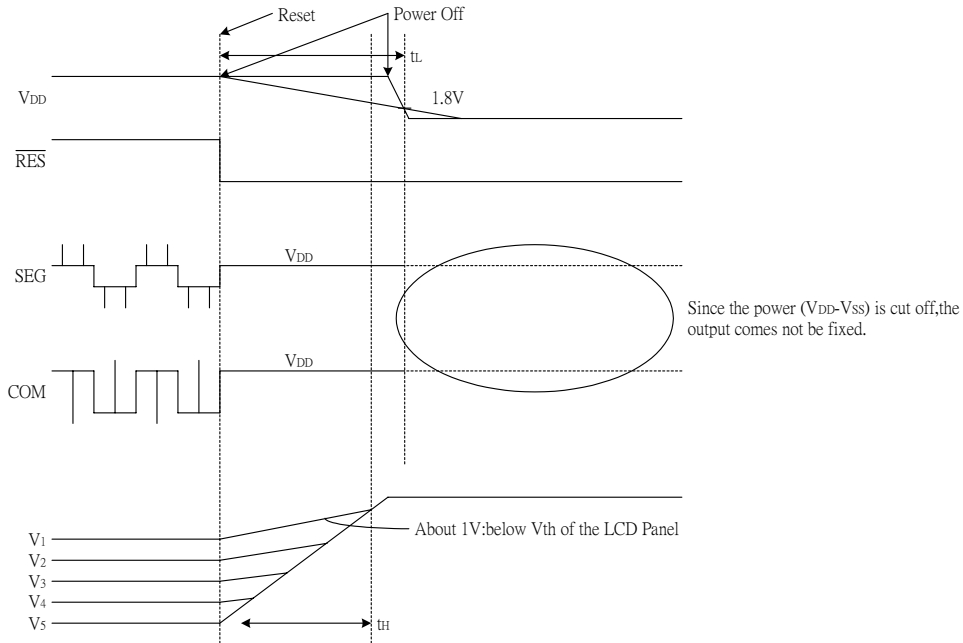


ST7565V

<Turning the power (VDD - VSS) off : When command control is not possible.>
 2) Reset (The LCD powers (VDD - VSS) are off.) → Power (VDD - VSS) OFF

- Observe $t_L > t_H$.
- When $t_L < t_H$, an irregular display may occur.

For t_L , make the power (VDD - VSS) falling characteristics longer or consider any other method. t_H is determined according to the external capacity C2 (smoothing capacity of V5 to V1) and the driver's discharging capacity.



<Reference Data>

V5 voltage falling (discharge) time (t_H) after the process of operation → power save → reset.

V5 voltage falling (discharge) time (t_H) after the process of operation → reset.

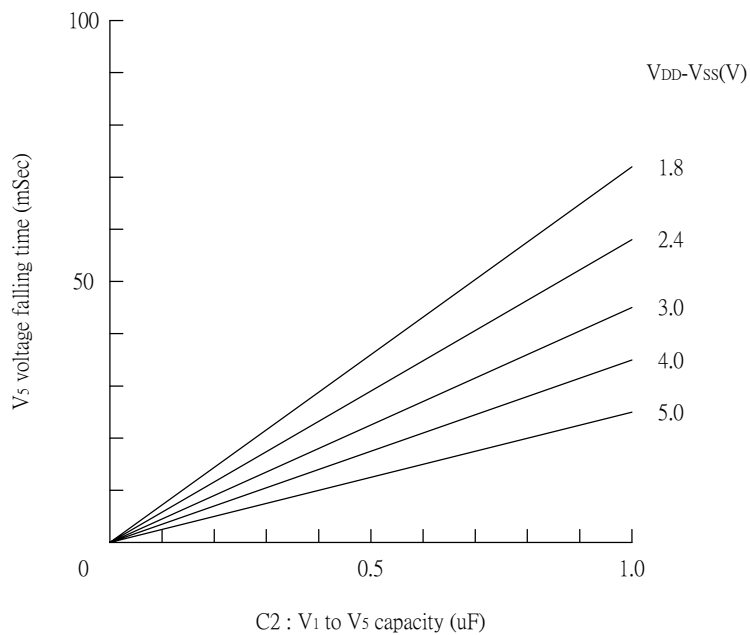


Figure 31

ABSOLUTE MAXIMUM RATINGS

Unless otherwise noted, $V_{SS} = 0V$

Table 17

Parameter	Symbol	Conditions	Unit
Power Supply Voltage	VDD	-0.3 ~ +5.0	V
Power supply voltage (VDD standard)	VSS2	-4.0 ~ -1.8	V
Power supply voltage (VDD standard)	V5, VOUT	-18.0 ~ +0.3	V
Power supply voltage (VDD standard)	V1, V2, V3, V4	$V_5 + 0.3$	V
Input voltage	VIN	-0.3 to VDD + 0.3	V
Output voltage	VO	-0.3 to VDD + 0.3	V
Operating temperature	TOPR	-40 to +85	°C
Storage temperature	TCP	-55 to +100	°C
	Bare chip	-55 to +125	

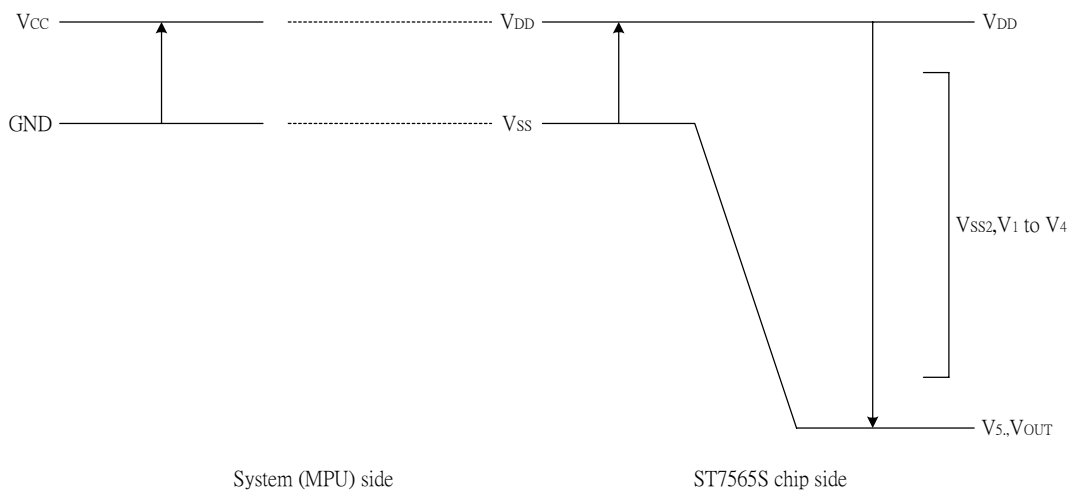


Figure 30

Notes and Cautions

1. The VSS2, V1 to V5 and VOUT are relative to the VDD = 0V reference.
2. Insure that the voltage levels of V1, V2, V3, and V4 are always such that $V_{DD} \geq V_1 \geq V_2 \geq V_3 \geq V_4 \geq V_5$.
3. Permanent damage to the LSI may result if the LSI is used outside of the absolute maximum ratings. Moreover, it is recommended that in normal operation the chip be used at the electrical characteristic conditions, and use of the LSI outside of these conditions may not only result in malfunctions of the LSI, but may have a negative impact on the LSI reliability as well.

DC CHARACTERISTICS

Unless otherwise specified, $V_{SS} = 0\text{ V}$, $V_{DD} = 3.0\text{ V} \pm 10\%$, $T_a = -40\text{ to }85^\circ\text{C}$

Table 18

Item	Symbol	Condition	Rating			Units	Applicable Pin		
			Min.	Typ.	Max.				
Operating Voltage (1)	V_{SS}		-3.3	—	-1.8	V	V_{SS}^*1		
Operating Voltage (2)	V_{SS2}	(Relative to V_{DD})	-3.3	—	-1.8	V	V_{SS2}		
Operating Voltage (3)	V_{SS2}	(Relative to V_{DD})	-13.0	—	-4.0	V	V_5^*2		
			$0.4 \times V_5$	—	V_{DD}		V_1, V_2		
			V_5	—	$0.6 \times V_5$		V_3, V_4		
High-level Input Voltage	V_{IHC}		$0.8 \times V_{DD}$	—	V_{DD}	V	*3		
Low-level Input Voltage	V_{ILC}		V_{SS}	—	$0.2 \times V_{DD}$	V	*3		
High-level Output Voltage	V_{OHC}	$I_{OH} = -0.5\text{ mA}$	$0.8 \times V_{DD}$	—	V_{DD}	V	*4		
Low-level Output Voltage	V_{OLC}	$I_{OL} = 0.5\text{ mA}$	V_{SS}	—	$0.2 \times V_{DD}$	V	*4		
Input leakage current	I_{LI}	$V_{IN} = V_{DD}$ or V_{SS}	-1.0	—	1.0	μA	*5		
Output leakage current	I_{LO}	$V_{IN} = V_{DD}$ or V_{SS}	-3.0	—	3.0	μA	*6		
Liquid Crystal Driver ON Resistance	R_{ON}	$T_a = 25^\circ\text{C}$ (Relative To V_{DD})	$V_5 = -13.0\text{ V}$	—	2.0	$\text{K}\Omega$	SE G_n COM n^*7		
			$V_5 = -8.0\text{ V}$	—	3.2			5.4	
Static Consumption Current	I_{SSQ}	$V_5 = -13.0\text{ V}$ (Relative To V_{DD})	—	0.01	2	μA	V_{SS}, V_{SS2}		
Output Leakage Current	I_{5Q}		—	0.01	10	μA	V_5		
Input Terminal Capacitance	C_{IN}	$T_a = 25^\circ\text{C}$, $f = 1\text{ MHz}$	—	5.0	8.0	pF			
Oscillator Frequency	Internal Oscillator	f_{OSC}	1/65 duty 1/33 duty	$T_a = 25^\circ\text{C}$	17	20	24	kHz	*8
	External Input	f_{CL}							17
	Internal Oscillator	f_{OSC}	1/49 duty 1/53 duty	$T_a = 25^\circ\text{C}$	25	30	35	kHz	*8
	External Input	f_{CL}							25

Table 19

Item	Symbol	Condition	Rating			Units	Applicable Pin	
			Min.	Typ.	Max.			
Internal Power	Input voltage	V _{SS2}	(Relative To V _{DD})	-3.3	—	-1.8	V	V _{SS2}
	Supply Step-up output voltage Circuit	V _{OUT}	(Relative To V _{DD})	-16.0	—	—	V	V _{OUT}
	Voltage regulator Circuit Operating Voltage	V _{OUT}	(Relative To V _{DD})	-16.0	—	-6.0	V	V _{OUT}
	Voltage Follower Circuit Operating Voltage	V ₅	(Relative To V _{DD})	-13.0	—	-4.0	V	V ₅ * 9
	Base Voltage	V _{RS}	T _a = 25°C , (Relative To V _{DD}) -0.05%/°C	-2.07	-2.10	-2.13	V	*10

- **Dynamic Consumption Current : During Display, with the Internal Power Supply OFF** Current consumed by total ICs when an external power supply is used .

Table 20

Test pattern	Symbol	Condition	Rating			Units	Notes
			Min.	Typ.	Max.		
Display Pattern OFF	IDD	V _{DD} = 3.0 V, V ₅ - V _{DD} = -11.0 V	—	16	27	μA	*11
Display Pattern Checker	IDD	V _{DD} = 3.0 V, V ₅ - V _{DD} = -11.0 V	—	19	32	μA	*11

- **Dynamic Consumption Current : During Display, with the Internal Power Supply ON**

Table 21

Test pattern	Symbol	Condition	Rating			Units	Notes	
			Min.	Typ.	Max.			
Display Pattern OFF	IDD	V _{DD} = 3.0 V, Quad step-up voltage. V ₅ - V _{DD} = -11.0 V	Normal Mode	—	60	100	μA	*12
			High-Power Mode	—	98	163		
Display Pattern Checker	IDD	V _{DD} = 3.0 V, Quad step-up voltage. V ₅ - V _{DD} = -11.0 V	Normal Mode	—	70	117	μA	*12
			High-Power Mode	—	105	175		

- **Consumption Current at Time of Power Saver Mode : V_{SS} = -3.0 V ± 10%**

Table 22

Item	Symbol	Condition	Rating			Units	Notes
			Min.	Typ.	Max.		
Sleep mode	IDD	T _a = 25°C	—	0.1	4	μA	
Standby Mode	IDD	T _a = 25°C	—	5	10		

ST7565V

- The Relationship Between Oscillator Frequency f_{OSC} , Display Clock Frequency f_{CL} and the Liquid Crystal Frame Rate Frequency f_{FR}

Table 23

	Item	f_{CL}	f_{FR}
1/65 DUTY	Used internal oscillator circuit	$f_{OSC} / 4$	$f_{OSC} / (4 \times 65)$
	Used external display clock	External input (f_{CL})	$f_{CL} / 260$
1/49 DUTY	Used internal oscillator circuit	$f_{OSC} / 4$	$f_{OSC} / (4 \times 49)$
	Used external display clock	External input (f_{CL})	$f_{CL} / 196$
1/33 DUTY	Used internal oscillator circuit	$f_{OSC} / 8$	$f_{OSC} / (8 \times 33)$
	Used external display clock	External input (f_{CL})	$f_{CL} / 264$
1/55 DUTY	Used internal oscillator circuit	$f_{OSC} / 4$	$f_{OSC} / (4 \times 55)$
	Used external display clock	External input (f_{CL})	$f_{CL} / 220$
1/53 DUTY	Used internal oscillator circuit	$f_{OSC} / 4$	$f_{OSC} / (4 \times 53)$
	Used external display clock	External input (f_{CL})	$f_{CL} / 212$

(f_{FR} is the liquid crystal alternating current period, and not the FR signal period.)

References for items marked with *

- *1 While a broad range of operating voltages is guaranteed, performance cannot be guaranteed if there are sudden fluctuations to the voltage while the MPU is being accessed.
- *2 The operating voltage range for the V_{DD} system and the V_5 system is. This applies when the external power supply is being used.
- *3 The A0, D0 to D5, D6 (SCL), D7 (SI), /RD (E), /WR (R/W), /CS1, CS2, CLS, CL, FR, M/S, C86, P/S, /DOF, /RES, IRS, and /HPM terminals.
- *4 The D0 to D7, FR, FRS, /DOF, and CL terminals.
- *5 The A0, /RD (E), /WR (R/W), /CS1, CS2, CLS, M/S, C86, P/S, /RES, IRS, and /HPM terminals.
- *6 Applies when the D0 to D5, D6 (SCL), D7 (SI), CL, FR, and /DOF terminals are in a high impedance state.
- *7 These are the resistance values for when a 0.1 V voltage is applied between the output terminal SEGn or COMn and the various power supply terminals (V1, V2, V3, and V4). These are specified for the operating voltage (3) range. $R_{ON} = 0.1 \text{ V} / \Delta I$ (Where ΔI is the current that flows when 0.1 V is applied while the power supply is ON.)
- *8 See Table 23 for the relationship between the oscillator frequency and the frame rate frequency.
- *9 The V_5 voltage regulator circuit regulates within the operating voltage range of the voltage follower.
- *10 This is the internal voltage reference supply for the V_5 voltage regulator circuit. In the ST7565V, the temperature range is approximately $-0.05\%/^{\circ}\text{C}$.
- *11, 12 It indicates the current consumed on ICs alone when the internal oscillator circuit and display are turned on. The ST7565V is 1/9 biased. Does not include the current due to the LCD panel capacity and wiring capacity. Applicable only when there is no access from the MPU.
- *12 It is the value on a ST7565V having the V_{REG} temperature gradient is $-0.05\%/^{\circ}\text{C}$ when the V_5 voltage regulator internal resistor is used.

TIMING CHARACTERISTICS

System Bus Read/Write Characteristics 1 (For the 8080 Series MPU)

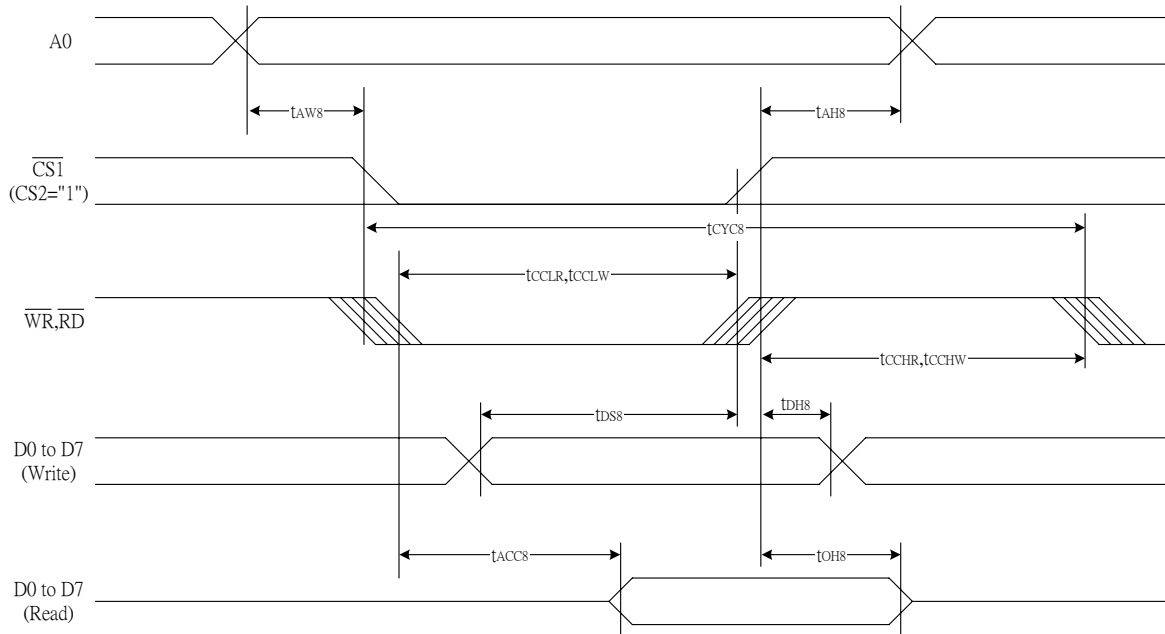


Figure 37

Table 24

(VDD = 3.3V , Ta =25°C)

Item	Signal	Symbol	Condition	Rating		Units
				Min.	Max.	
Address hold time	A0	t _{AH8}		0	—	Ns
Address setup time		t _{AW8}		0	—	
System cycle time		t _{CYC8}		240	—	
Enable L pulse width (WRITE)	WR	t _{CCLW}		100	—	
Enable H pulse width (WRITE)		t _{CCHW}		100	—	
Enable L pulse width (READ)	RD	t _{CCLR}		140	—	
Enable H pulse width (READ)		t _{CCHR}		100	—	
WRITE Data setup time	D0 to D7	t _{DSS}		40	—	
WRITE Address hold time		t _{DHS}		10	—	
READ access time		t _{ACC8}	CL = 100 pF	—	70	
READ Output disable time		t _{OHS}	CL = 100 pF	5	50	

Table 25

(V_{DD} = 2.7 V , Ta = 25°C)

Item	Signal	Symbol	Condition	Rating		Units
				Min.	Max.	
Address hold time	A0	t _{AH8}		0	—	ns
Address setup time		t _{AW8}		0	—	
System cycle time		t _{CYC8}		400	—	
Enable L pulse width (WRITE)	WR	t _{CCLW}		220	—	
Enable H pulse width (WRITE)		t _{CCHW}		180	—	
Enable L pulse width (READ)	RD	t _{CCLR}		220	—	
Enable H pulse width (READ)		t _{CCHR}		180	—	
WRITE Data setup time	D0 to D7	t _{DS8}		40	—	
WRITE Address hold time		t _{DH8}		15	—	
READ access time		t _{ACC8}	CL = 100 pF	—	140	
READ Output disable time		t _{OH8}	CL = 100 pF	10	100	

Table 26

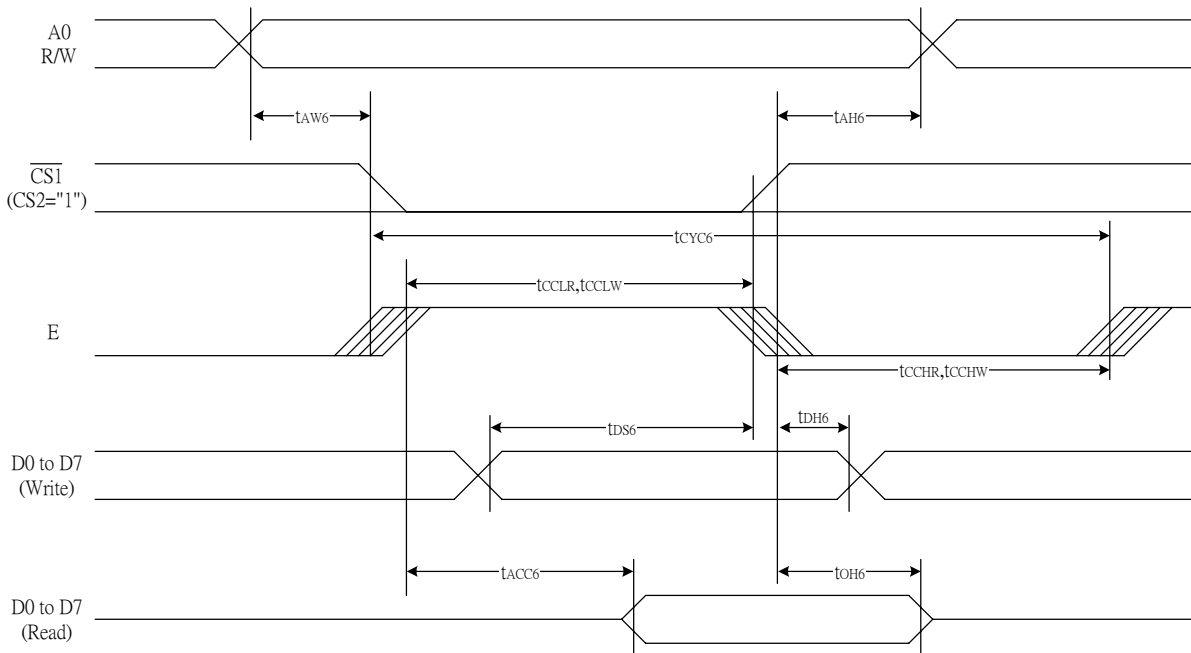
(V_{DD} = 1.8V , Ta = 25°C)

Item	Signal	Symbol	Condition	Rating		Units
				Min.	Max.	
Address hold time	A0	t _{AH8}		0	—	ns
Address setup time		t _{AW8}		0	—	
System cycle time		t _{CYC8}		640	—	
Enable L pulse width (WRITE)	WR	t _{CCLW}		360	—	
Enable H pulse width (WRITE)		t _{CCHW}		280	—	
Enable L pulse width (READ)	RD	t _{CCLR}		360	—	
Enable H pulse width (READ)		t _{CCHR}		280	—	
WRITE Data setup time	D0 to D7	t _{DS8}		80	—	
WRITE Address hold time		t _{DH8}		30	—	
READ access time		t _{ACC8}	CL = 100 pF	—	240	
READ Output disable time		t _{OH8}	CL = 100 pF	10	200	

*1 The input signal rise time and fall time (t_r, t_f) is specified at 15 ns or less. When the system cycle time is extremely fast, (t_r + t_f) ≤ (t_{CYC8} – t_{CCLW} – t_{CCHW}) for (t_r + t_f) ≤ (t_{CYC8} – t_{CCLR} – t_{CCHR}) are specified.

*2 All timing is specified using 20% and 80% of V_{DD} as the reference.

*3 t_{CCLW} and t_{CCLR} are specified as the overlap between /CS1 being “L” (CS2 = “H”) and /WR and /RD being at the “L” level.



System Bus Read/Write Characteristics 2 (For the 6800 Series MPU)

Figure 38

Table 27

($V_{DD} = 3.3\text{ V}$, $T_a = 25^\circ\text{C}$)

Item	Signal	Symbol	Condition	Rating		Units
				Min.	Max.	
Address hold time	A0	tAH6		0	—	ns
Address setup time		tAW6		0	—	
System cycle time		tCYC6		240	—	
Enable L pulse width (WRITE)	WR	tEVLW		100	—	
Enable H pulse width (WRITE)		tEWHW		100	—	
Enable L pulse width (READ)	RD	tEWLR		100	—	
Enable H pulse width (READ)		tEWHR		140	—	
WRITE Data setup time	D0 to D7	tDS6		40	—	
WRITE Address hold time		tDH6		10	—	
READ access time		tACC6	$C_L = 100\text{ pF}$	—	70	
READ Output disable time		tOH6	$C_L = 100\text{ pF}$	5	50	

Table 28

(V_{DD} = 2.7V , Ta =25°C)

Item	Signal	Symbol	Condition	Rating		Units
				Min.	Max.	
Address hold time	A0	t _{AH6}		0	—	ns
Address setup time		t _{AW6}		0	—	
System cycle time		t _{CYC6}		400	—	
Enable L pulse width (WRITE)	WR	t _{EWLW}		220	—	
Enable H pulse width (WRITE)		t _{EWHW}		180	—	
Enable L pulse width (READ)	RD	t _{EWLR}		220	—	
Enable H pulse width (READ)		t _{EWHR}		180	—	
WRITE Data setup time	D0 to D7	t _{DS6}		40	—	
WRITE Address hold time		t _{DH6}		15	—	
READ access time		t _{ACC6}	CL = 100 pF	—	140	
READ Output disable time		t _{OH6}	CL = 100 pF	10	100	

Table 29

(V_{DD} =1.8V , Ta =25°C)

Item	Signal	Symbol	Condition	Rating		Units
				Min.	Max.	
Address hold time	A0	t _{AH6}		0	—	ns
Address setup time		t _{AW6}		0	—	
System cycle time		t _{CYC6}		640	—	
Enable L pulse width (WRITE)	WR	t _{EWLW}		360	—	
Enable H pulse width (WRITE)		t _{EWHW}		280	—	
Enable L pulse width (READ)	RD	t _{EWLR}		360	—	
Enable H pulse width (READ)		t _{EWHR}		280	—	
WRITE Data setup time	D0 to D7	t _{DS6}		80	—	
WRITE Address hold time		t _{DH6}		30	—	
READ access time		t _{ACC6}	CL = 100 pF	—	240	
READ Output disable time		t _{OH6}	CL = 100 pF	10	200	

*1 The input signal rise time and fall time (t_r, t_f) is specified at 15 ns or less. When the system cycle time is extremely fast, (t_r + t_f) ≤ (t_{CYC6} – t_{EWLW} – t_{EWHW}) for (t_r + t_f) ≤ (t_{CYC6} – t_{EWLR} – t_{EWHR}) are specified.

*2 All timing is specified using 20% and 80% of V_{DD} as the reference.

*3 t_{EWLW} and t_{EWLR} are specified as the overlap between CS1 being “L” (CS2 = “H”) and E.

The Serial Interface

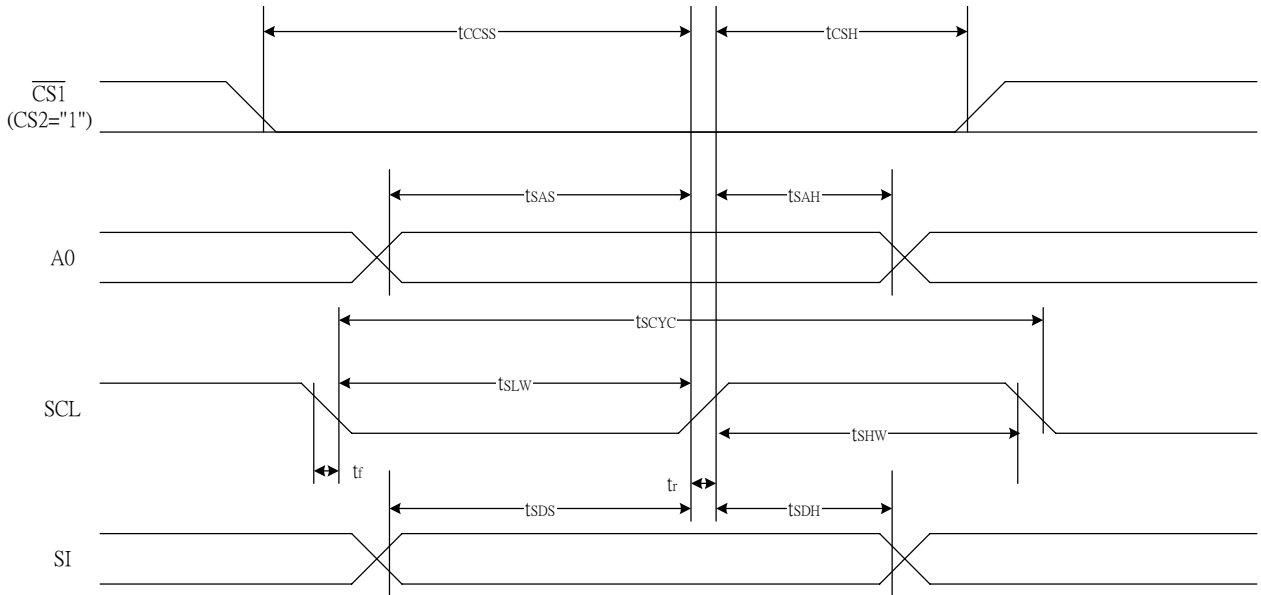


Figure 39

Table 30

(VDD = 3.3V, Ta = 25°C)

Item	Signal	Symbol	Condition	Rating		Units
				Min.	Max.	
Serial Clock Period	SCL	T _{scyc}		100	—	ns
SCL "H" pulse width		T _{shw}		50	—	
SCL "L" pulse width		T _{slw}		50	—	
Address setup time	A0	T _{sas}		20	—	
Address hold time		T _{sah}		10	—	
Data setup time	SI	T _{sds}		20	—	
Data hold time		T _{sdh}		10	—	
CS-SCL time	CS	T _{css}		20	—	
CS-SCL time		T _{csh}		40	—	

Table 31

(VDD = 2.7V, Ta = 25°C)

Item	Signal	Symbol	Condition	Rating		Units
				Min.	Max.	
Serial Clock Period	SCL	T _{scyc}		120	—	ns
SCL "H" pulse width		T _{shw}		60	—	
SCL "L" pulse width		T _{slw}		60	—	
Address setup time	A0	T _{sas}		30	—	
Address hold time		T _{sah}		20	—	
Data setup time	SI	T _{sds}		30	—	
Data hold time		T _{sdh}		20	—	
CS-SCL time	CS	T _{css}		30	—	
CS-SCL time		T _{csh}		60	—	

Table 32

(V_{DD} = 1.8V , T_a = 25°C)

Item	Signal	Symbol	Condition	Rating		Units
				Min.	Max.	
Serial Clock Period	SCL	T _{SCYC}		200	—	ns
SCL "H" pulse width		T _{SHW}		80	—	
SCL "L" pulse width		T _{SLW}		80	—	
Address setup time	A0	T _{SAS}		60	—	
Address hold time		T _{SAH}		30	—	
Data setup time	SI	T _{SDS}		60	—	
Data hold time		T _{SDH}		30	—	
CS-SCL time	CS	T _{CSS}		40	—	
CS-SCL time		T _{CSH}		100	—	

*1 The input signal rise and fall time (t_r, t_f) are specified at 15 ns or less.

*2 All timing is specified using 20% and 80% of V_{DD} as the standard.

Reset Timing

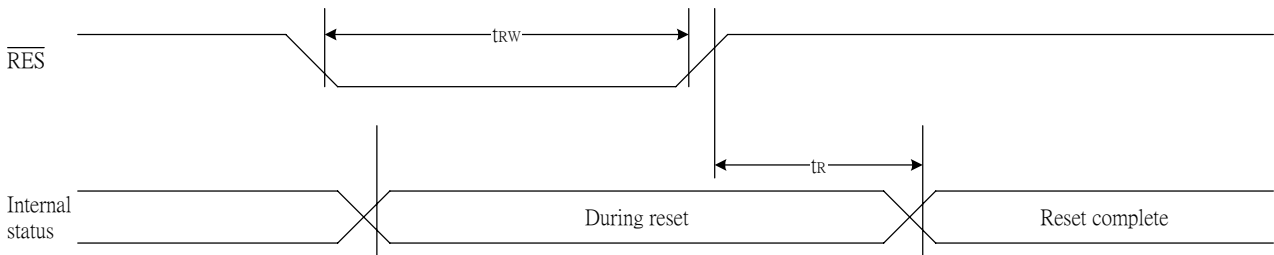


Figure 41

Table 36

($V_{DD} = 3.3V$, $T_a = -40$ to $85^\circ C$)

Item	Signal	Symbol	Condition	Rating			Units
				Min.	Typ.	Max.	
Reset time		t_R		—	—	1.0	us
Reset "L" pulse width	/RES	t_{RW}		1.0	—	—	us

Table 37

($V_{DD} = 2.7V$, $T_a = -40$ to $85^\circ C$)

Item	Signal	Symbol	Condition	Rating			Units
				Min.	Typ.	Max.	
Reset time		t_R		—	—	2.0	us
Reset "L" pulse width	/RES	t_{RW}		2.0	—	—	us

Table 38

($V_{DD} = 1.8V$, $T_a = -40$ to $85^\circ C$)

Item	Signal	Symbol	Condition	Rating			Units
				Min.	Typ.	Max.	
Reset time		t_R		—	—	3.0	us
Reset "L" pulse width	/RES	t_{RW}		3.0	—	—	us

*1 All timing is specified with 20% and 80% of V_{DD} as the standard.

THE MPU INTERFACE (REFERENCE EXAMPLES)

The ST7565V Series can be connected to either 80X86 Series MPUs or to 68000 Series MPUs. Moreover, using the serial interface it is possible to operate the ST7565V series chips with fewer signal lines.

The display area can be enlarged by using multiple ST7565V Series chips. When this is done, the chip select signal can be used to select the individual ICs to access.

(1) 8080 Series MPUs

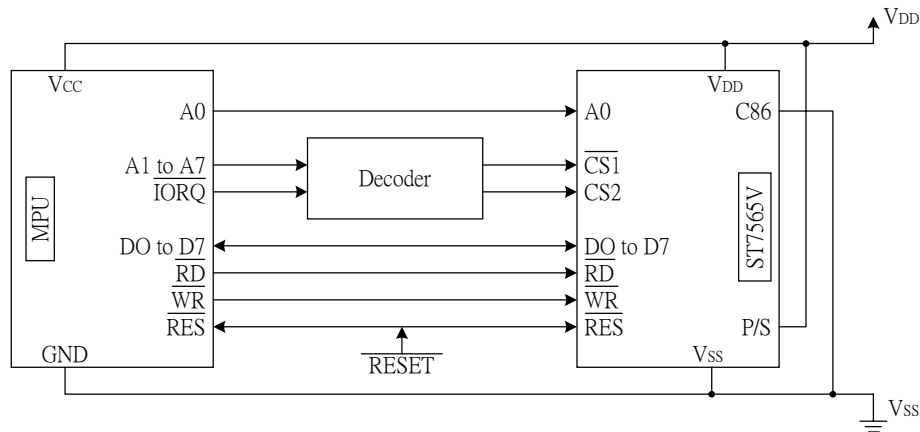


Figure 42-1

(2) 6800 Series MPUs

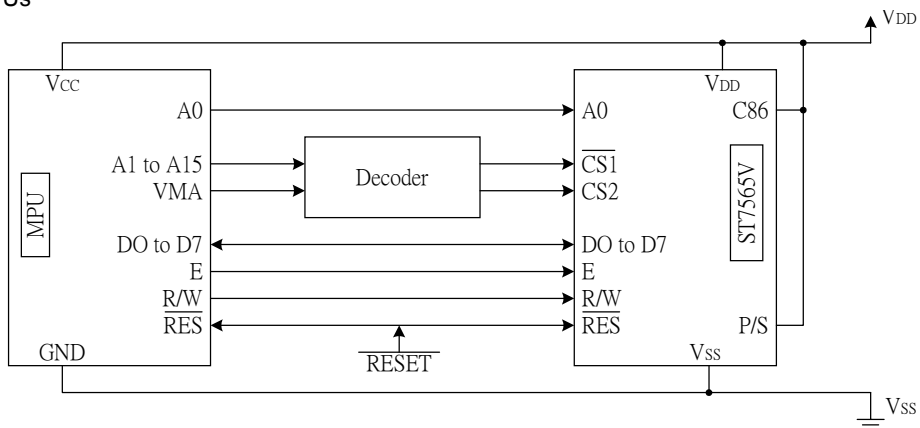


Figure 42-2

(3) Using the Serial Interface

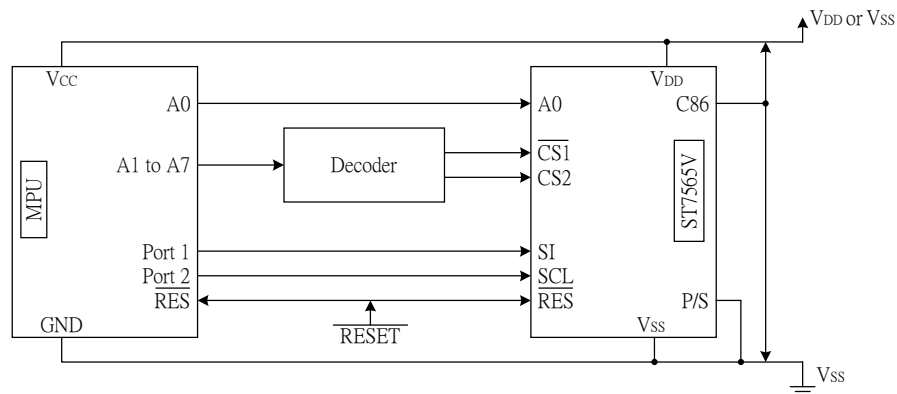
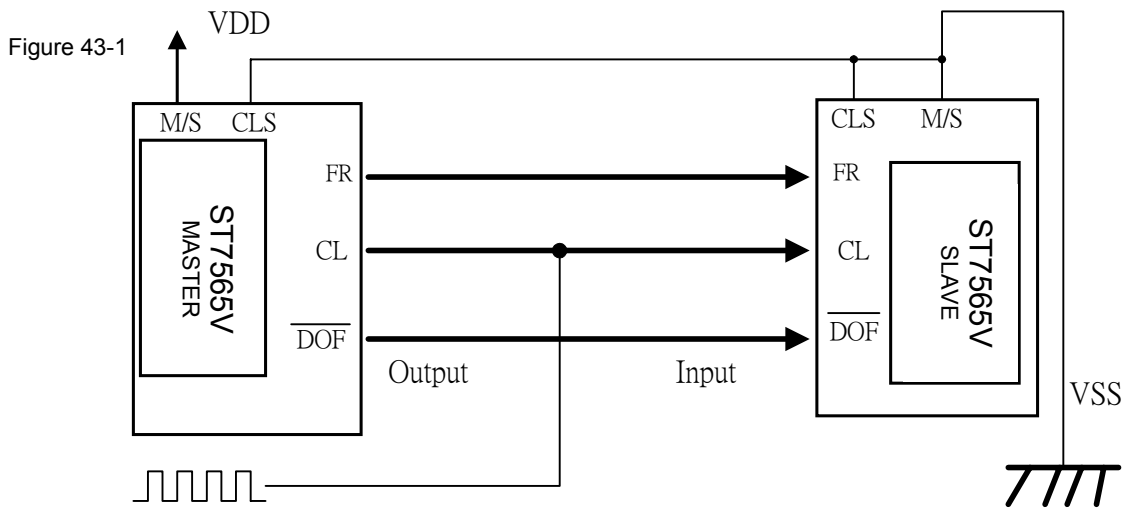
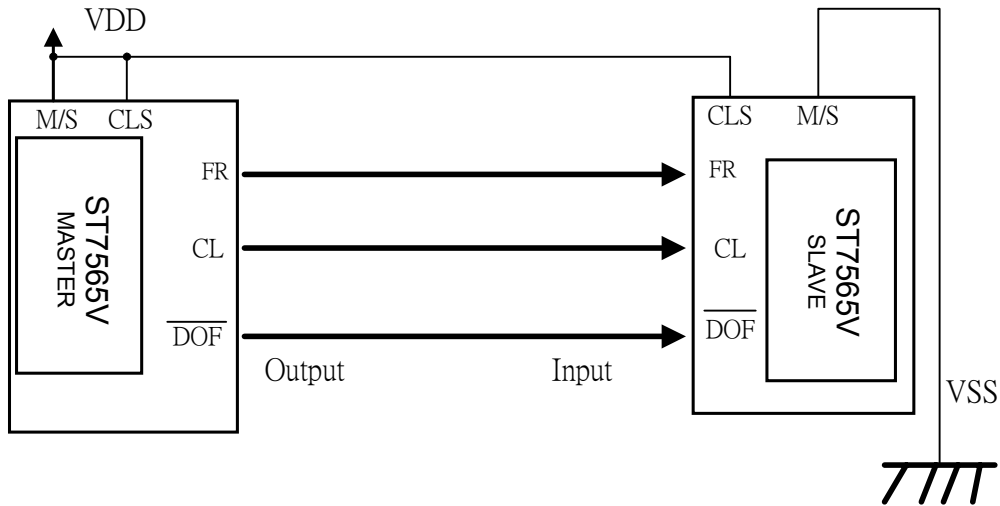


Figure 42-3

CONNECTIONS BETWEEN LCD DRIVERS (REFERENCE EXAMPLE)

The liquid crystal display area can be enlarged with ease through the use of multiple ST7565V Series chips. Use a same equipment type.

(1) ST7565V (master) ↔ ST7565V (slave)



ST7565V

(2) Single-chip Structure

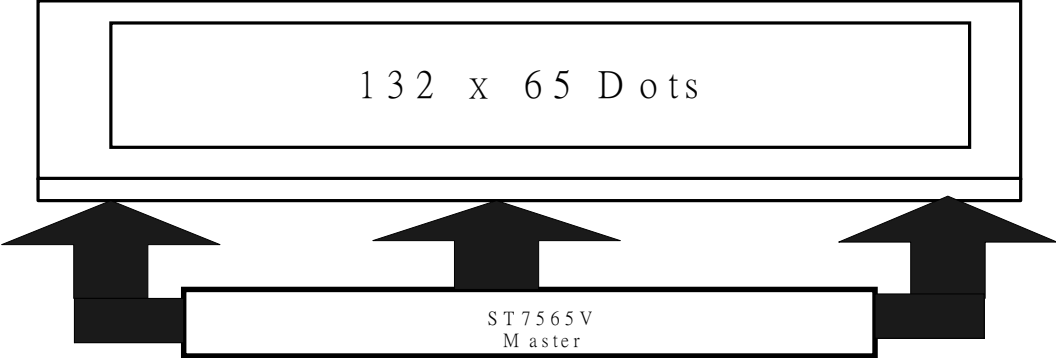


Figure 43-2

(3) Double-chip Structure

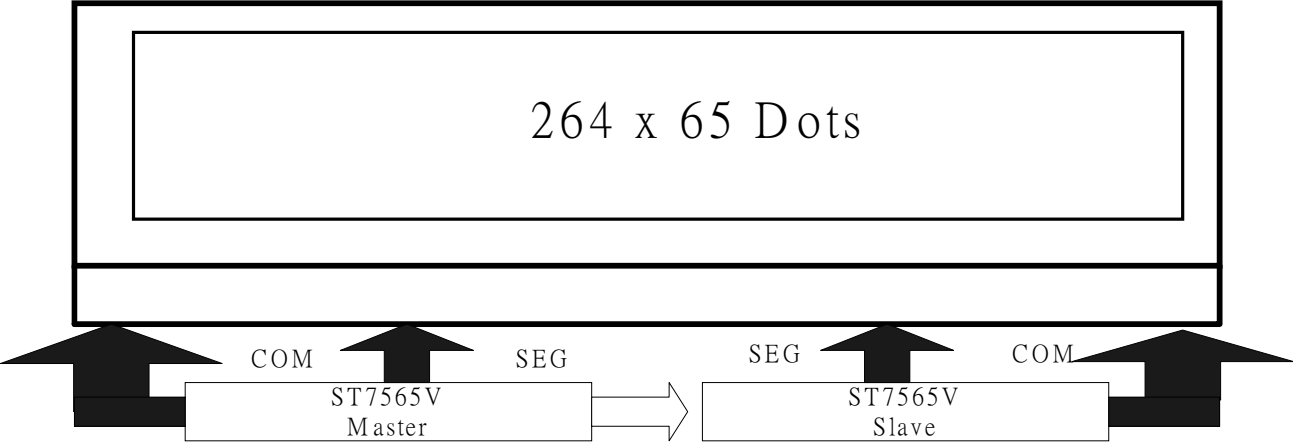


Figure 43-3

ST7565V

Revisions

- Version 0.1 - Preliminary.
- Version 0.2 - update Pad Center Coordinates page 2,3,4,5
- Version 0.2a - update ABSOLUTE MAXIMUM RATINGS and DC CHARACTERISTICS
- Version 0.2b - update DC CHARACTERISTICS , Pad Arrangement
- Version 0.2c - update AC CHARACTERISTICS (serial)
- Version 0.2d - update PIN DESCRIPTIONS M/S
- Version 0.2e - update ABSOLUTE MAXIMUM RATINGS and DC CHARACTERISTICS
- Version 0.2f - update Master and Slave reference example.
- Version 0.3 - update Pad Center Coordinates (1/65 , 1/49 , 1/33 , 1/55 , 1/53 Duty) page 3..17
- Version 0.3a - update Pad Diagram page2 and v5 regulator voltage diagram(figure 9) page35
- Version 0.3b - Logic power supply VDD – VSS = 1.8V to 3.3 V (+10% Range) , VOUT= -13V (+10% Range)
- Version 0.3c - Modify page-38 The temperature grade of the Internal Power Supply for ST7565V (-0.05%/°C) Figure 14
- Version 0.4 - Delete recommended to connect an external resistor to stabilize potentials of V1, V2, V3 and V4
- Version 1.0 - Transition to ST7565V
- Version 1.1 - Modify Tdh (data hold time) and page53,54 initial flow